

Titus



Tekform drawer

2015

Important information

Intellectual property

Titus Group owns the intellectual property rights in its products worldwide whether as trademarks, patents, intellectual, copyright, designs, illustrations, drawings and the 'know how' contained in their design and production. Titus Group respects the equivalent rights in competitors and all other relevant product design rights in others. To our knowledge our products do not infringe any intellectual property rights of competitors or other parties. Titus Group takes infringements of its rights seriously and will rigorously defend these rights to the full extent of the law.

Responsibility

It is the responsibility of the user to ensure the fitness of hardware for the intended purpose. We recommend assessment by appropriate testing in the application and by technical enquiry to our representatives.

Technical information

While every effort has been made in the production of this catalogue to ensure the accuracy of information, our products are continually being revised and users should confirm the up to date specification before ordering.

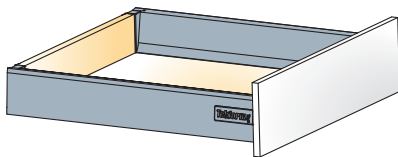
*Non preferred articles

All item numbers in the catalogue marked with * are for non preferred non stock items available upon special request. For such products, extended delivery times may apply.

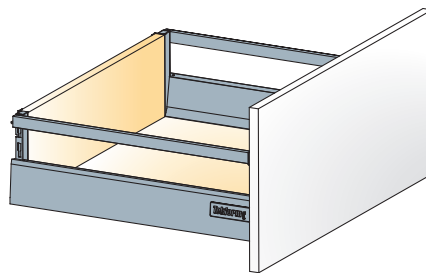
Trademarks

Titus and Titusonic are registered trademarks of Titus International Ltd. Lama is a registered trademark of Lama d.d. Dekani and Huwil is a registered trademark of HUWIL-Werke GmbH, WoodWelding is a registered trademark of WW SA.

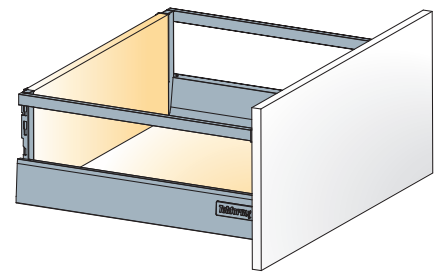
Double Wall Drawer Systems



Tekform drawer DW70



Tekform drawer DW145



Tekform drawer DW182



'EasyFix' front panel connector

- Hand insertion
- Quarter turn lock
- Repeatable assembly and disassembly possible

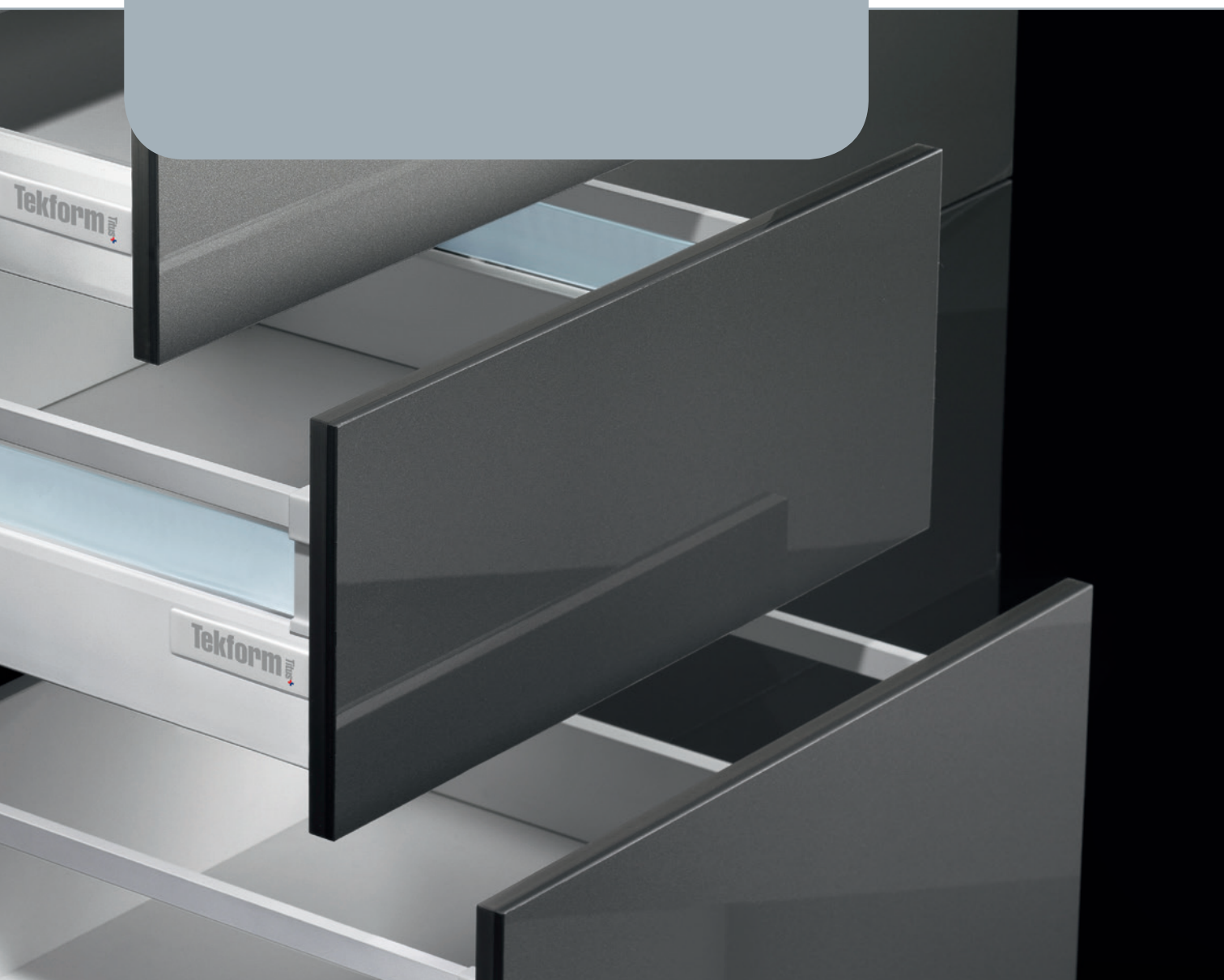
User friendly mounting

- Intuitive installation instructions
- Easy assembly and disassembly of the drawer

Superior vertical and horizontal stability of rails

- Smooth and silent operating
- Reliable drawer opening and closing
- Improved drawer stability in open position

Tekform drawer



Precise drawer alignment

- Tekform drawer provides a +/- 1mm tolerance on bottom width
- Intuitive drawer front adjustment

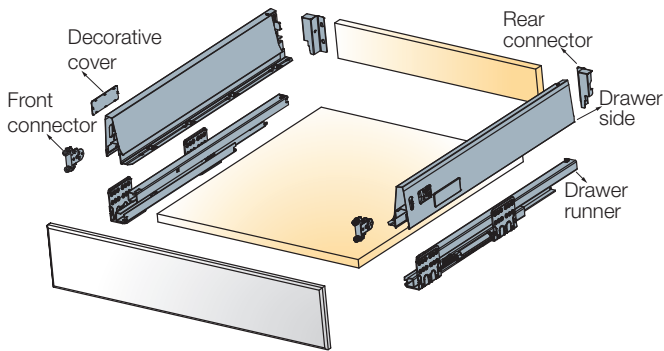
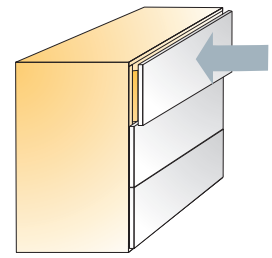
Titus damper inside

- Life-long reliable closing
- Consistent damping at various closing speeds
- 'Confident Close'

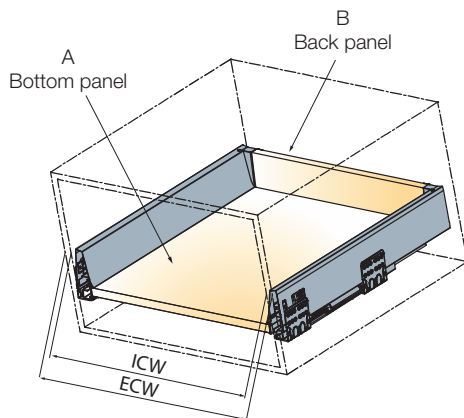
Quality certified

- European specialized institutions

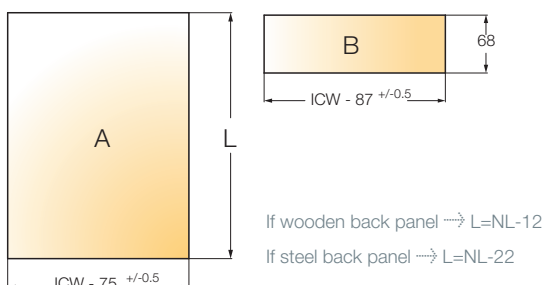
Tekform drawer DW70



Cutting dimensions for 16mm board thickness



ECW: External cabinet width
 ICW: Internal cabinet width
 NL: Nominal length of drawer

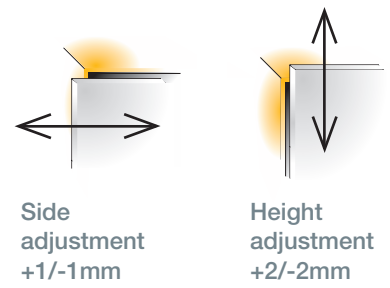


NL	with EasyFix front connector	with Screw-in front connector	White	Grey
Nominal length				
	Item number for a set	Item number for a set		
270	650-8027 \rightarrow	650-8327 \rightarrow	150	180
300	650-8030 \rightarrow	650-8330 \rightarrow	150	180
350	650-8035 \rightarrow	650-8335 \rightarrow	150	180
400	650-8040 \rightarrow	650-8340 \rightarrow	150	180
450	650-8045 \rightarrow	650-8345 \rightarrow	150	180
500	650-8050 \rightarrow	650-8350 \rightarrow	150	180
550	650-8055 \rightarrow	650-8355 \rightarrow	150	180
One set consists of				
Drawer sides				2 pcs
Drawer runner				2 pcs
*Front connectors				2 pcs
Rear connectors				2 pcs
Decorative covers				2 pcs
Mounting instructions				1 pc

*Front connector included in a set depends on the ordered item number

- Drawer runner type:
- Load capacity:
- Minimal height space required:
- Wooden back panel thickness:

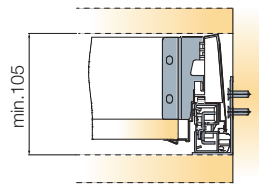
full extension
40 kg
105mm
16mm



For further explanation → see page 18

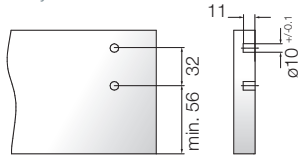
Installation dimensions

Minimum space required for the cabinet

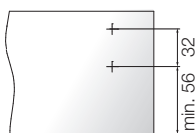


Drilling dimensions for the front panel

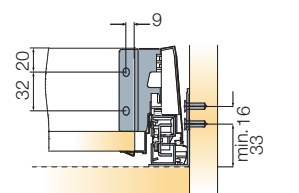
EasyFix attachment



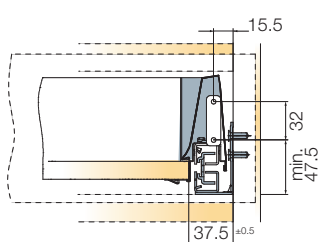
Screw-in attachment



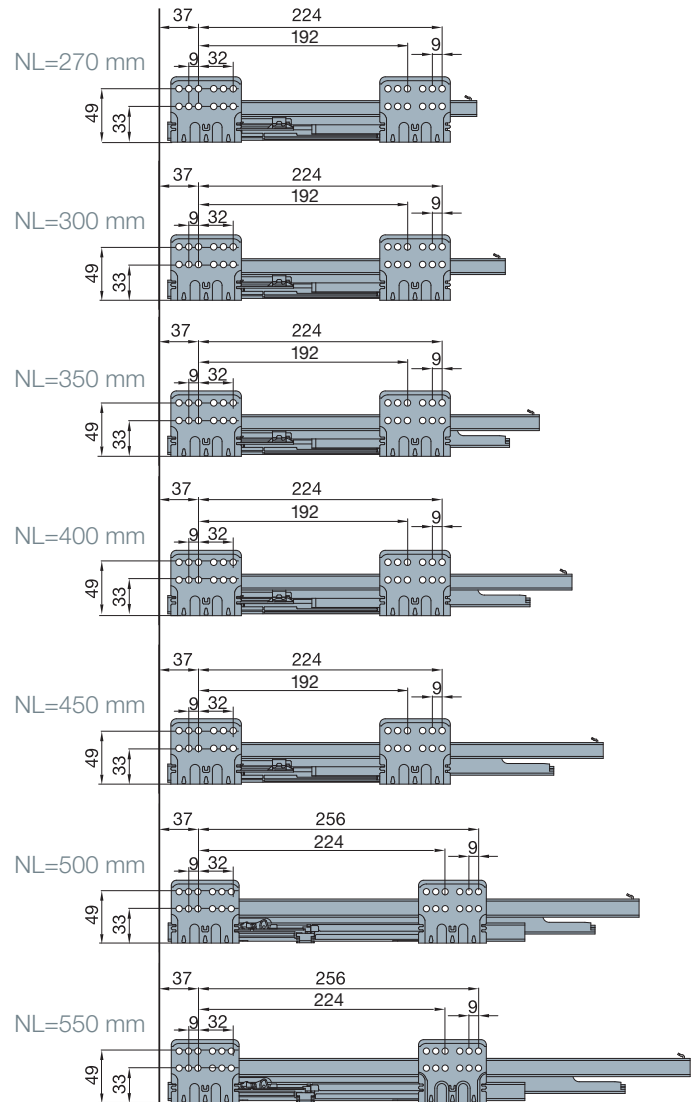
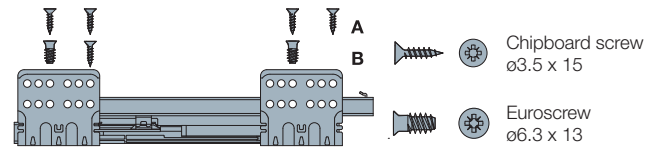
Mounting dimensions for the back panel



Installation dimensions for the front panel

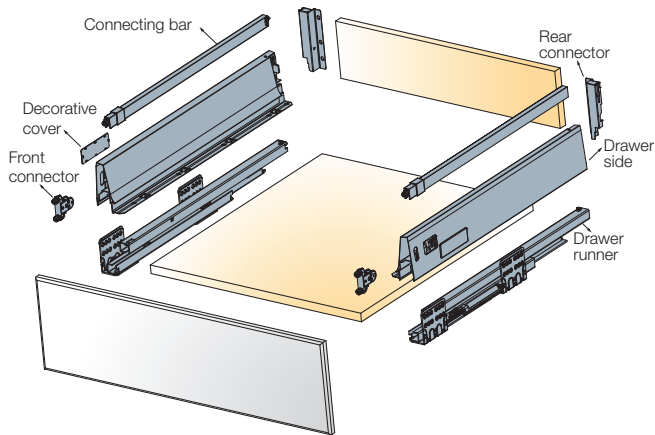
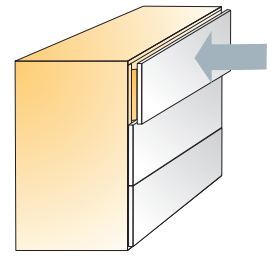


Drawer runner fixing positions

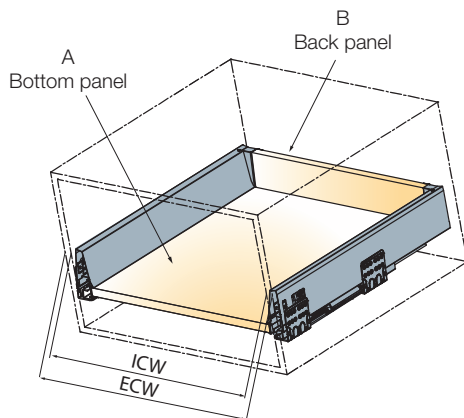


A trial mounting is always recommended.
For further information please contact your
Titus Group representative.

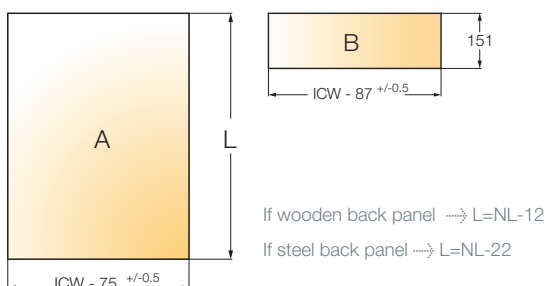
Tekform drawer DW145


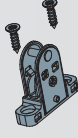

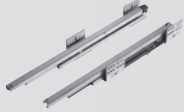







Cutting dimensions for 16mm board thickness



ECW: External cabinet width
 ICW: Internal cabinet width
 NL: Nominal length of drawer

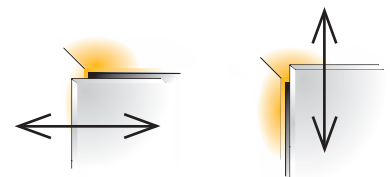


NL	with EasyFix front connector	with Screw-in front connector	White	Grey
Nominal length				
	Item number for a set	Item number for a set		
270	650-8127 →	650-8827 →	150	180
300	650-8130 →	650-8830 →	150	180
350	650-8135 →	650-8835 →	150	180
400	650-8140 →	650-8840 →	150	180
450	650-8145 →	650-8845 →	150	180
500	650-8150 →	650-8850 →	150	180
550	650-8155 →	650-8855 →	150	180
One set consists of				
	Drawer sides			2 pcs
	Drawer runner			2 pcs
	Connecting bars			2 pcs
	*Front connectors			2 pcs
	Rear connectors			2 pcs
	Decorative covers			2 pcs
	Mounting instructions			1 pc

*Front connector included in a set depends on the ordered item number

- Drawer runner type:
- Load capacity:
- Minimal height per drawer required:
- Wooden back panel thickness:

full extension
40 kg
185mm
16mm



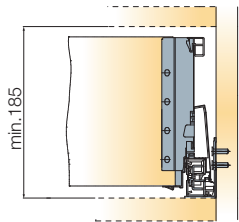
Side adjustment
+1/-1mm

Height adjustment
+2/-2mm

For further explanation → see page 18

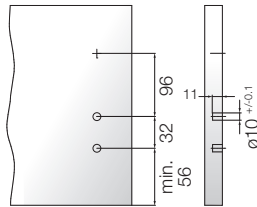
Installation dimensions

Minimum space required for the cabinet

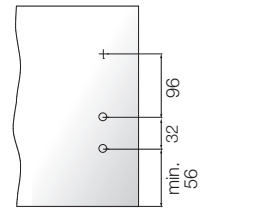


Drilling dimensions for the front panel

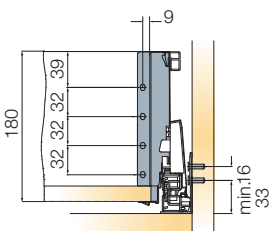
EasyFix attachment



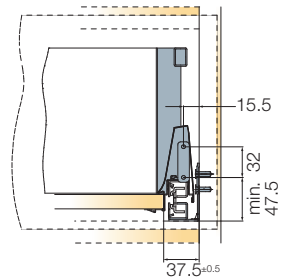
Screw-in attachment



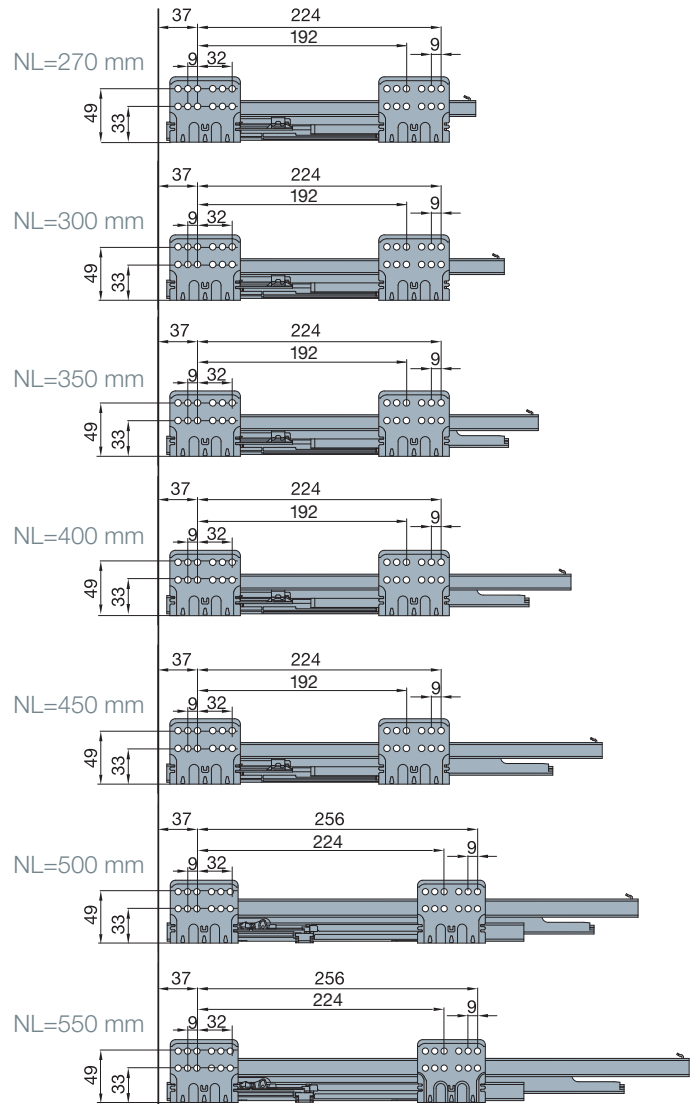
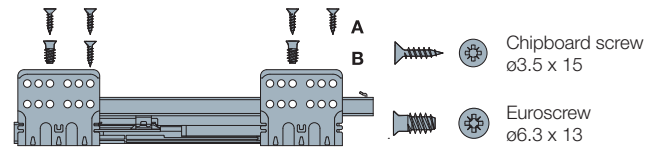
Mounting dimensions for the back panel



Installation dimensions for the front panel

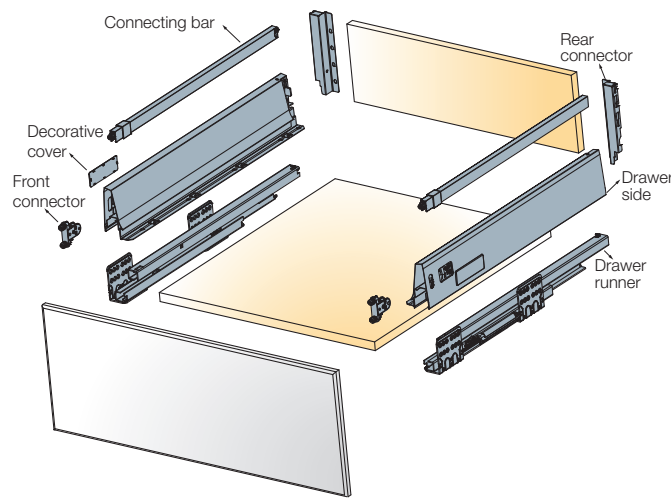
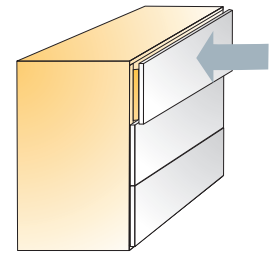


Drawer runner fixing positions

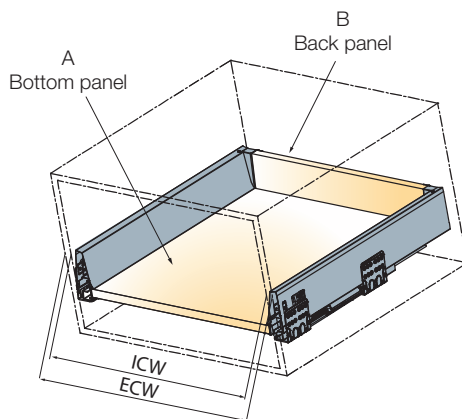


A trial mounting is always recommended.
For further information please contact your
Titus Group representative.

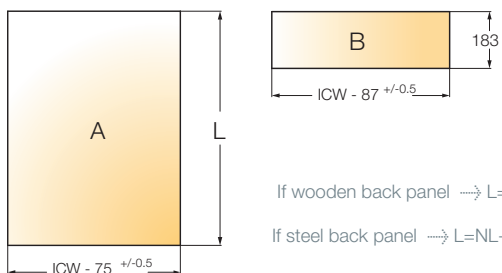
Tekform drawer DW182



Cutting dimensions for 16mm board thickness



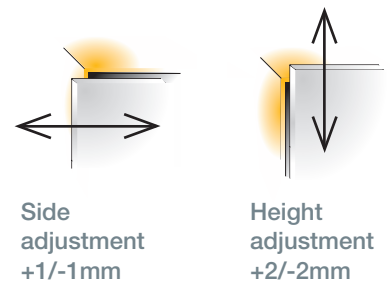
ECW: External cabinet width
 ICW: Internal cabinet width
 NL: Nominal length of drawer



NL	with EasyFix front connector	with Screw-in front connector			
Nominal length					
	Item number for a set	Item number for a set	White	Grey	
	270	650-8227 →	650-8927 →	150	180
	300	650-8230 →	650-8930 →	150	180
	350	650-8235 →	650-8935 →	150	180
	400	650-8240 →	650-8940 →	150	180
	450	650-8245 →	650-8945 →	150	180
	500	650-8250 →	650-8950 →	150	180
550	650-8255 →	650-8955 →	150	180	
One set consists of					
	Drawer sides			2 pcs	
	Drawer runner			2 pcs	
	Connecting bars			2 pcs	
	*Front connectors			2 pcs	
	Rear connectors			2 pcs	
	Decorative covers			2 pcs	
	Mounting instructions			1 pc	

*Front connector included in a set depends on the ordered item number

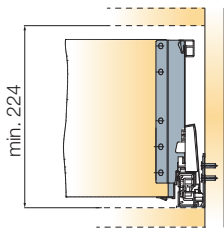
- Drawer runner type: full extension
- Load capacity: 40kg
- Minimal height per drawer required: 224mm
- Wooden back panel thickness: 16mm



For further explanation → see page 18

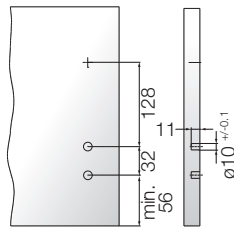
Installation dimensions

Minimum space required for the cabinet

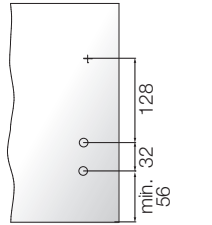


Drilling dimensions for the front panel

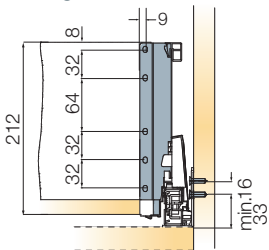
EasyFix attachment



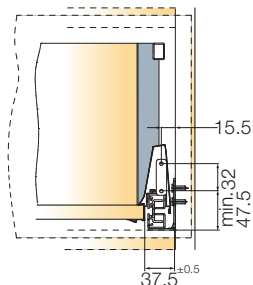
Screw-in attachment



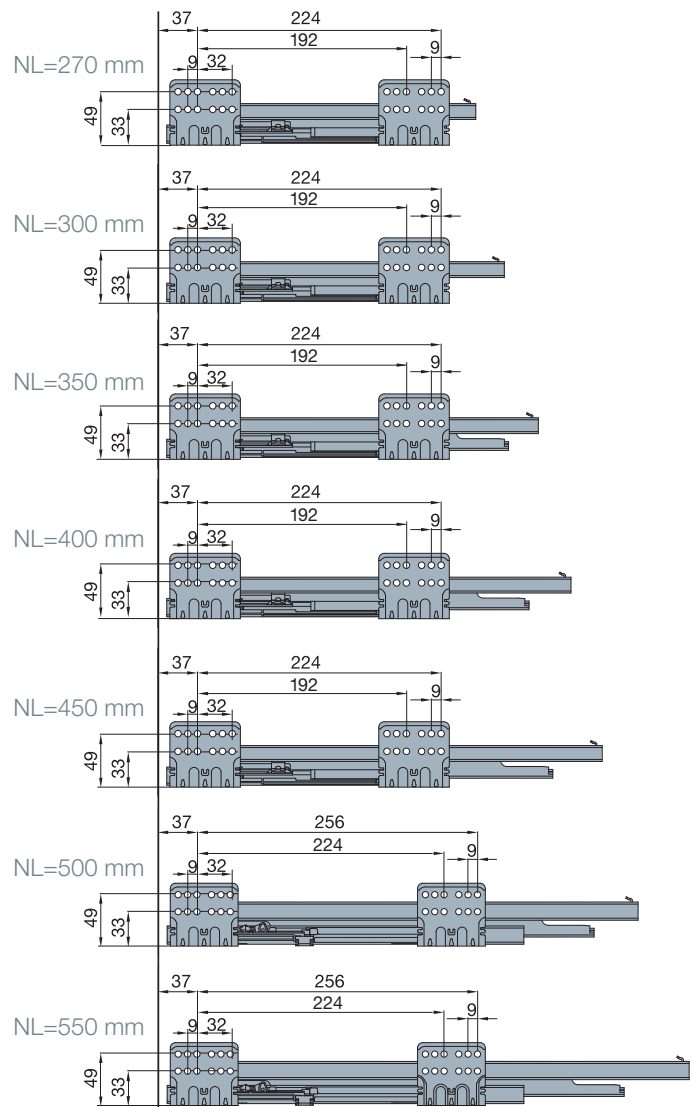
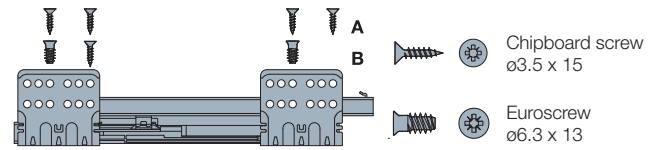
Mounting dimensions for the back panel



Installation dimensions for the front panel



Drawer runner fixing positions



A trial mounting is always recommended.
For further information please contact your Titus Group representative.

Accessories



Glass sides for DW145



Glass side



Glass clip

Made of tempered glass and plastic

Glass sides for DW182



Glass side



Glass clip

Made of tempered glass and plastic

NL	Nominal length	Item number	Material options			
			Frosted glass	Transparent glass	Plastic white	Plastic grey
Glass side	270	650-8401 →	391	392		
	300	650-8402 →	391	392		
	350	650-8403 →	391	392		
	400	650-8404 →	391	392		
	450	650-8405 →	391	392		
	500	650-8406 →	391	392		
	550	650-8407 →	391	392		
Glass clip set		650-8484 →			350	380
Glass side	270	650-8427 →	391	392		
	300	650-8430 →	391	392		
	350	650-8435 →	391	392		
	400	650-8440 →	391	392		
	450	650-8445 →	391	392		
	500	650-8450 →	391	392		
	550	650-8455 →	391	392		
Glass clip set		650-8485 →			350	380

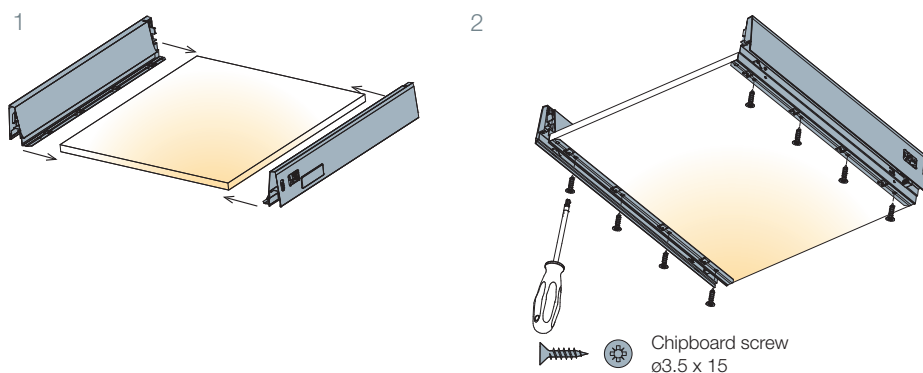
Accessories

		NL					
		Nominal length	Aluminium white	Aluminium grey	Plastic white	Plastic grey	
		Item number					
Drawer storage system for DW145 Cross bar Bar fitting Cross connection	Cross bar	400	650-8770 →	511	512		
		450	650-8771 →	511	512		
		500	650-8772 →	511	512		
		550	650-8773 →	511	512		
	Bar fitting		650-8761 →			350	380
	Cross connection		650-8762 →			350	380
Drawer storage system for DW182 Divider Divider fitting Riser Divider fitting Riser	Divider	600	650-8706 →	511	512		
		800	650-8708 →	511	512		
		900	650-8709 →	511	512		
		1000	650-8710 →	511	512		
		1200	650-8712 →	511	512		
		600	650-8713 →	511	512		
		1000	650-8714 →	511	512		
		2000	650-8715 →	511	512		
	Riser		650-8703 →			350	380
	Divider fitting		650-8704 →			350	380

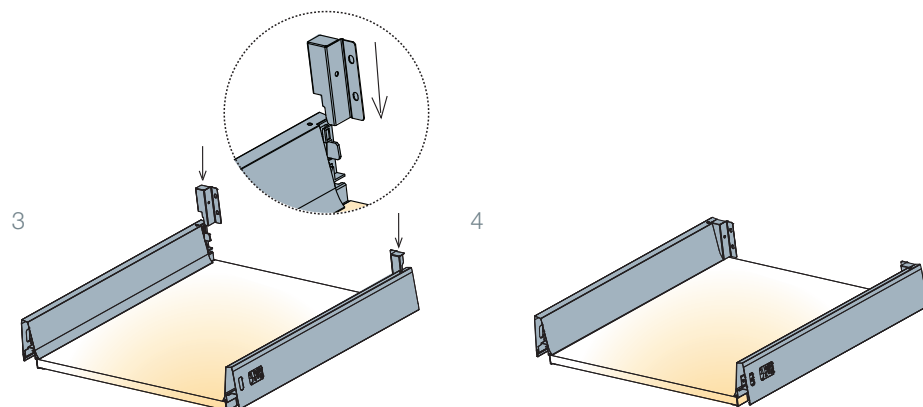
Installation Instructions

Assembly sequence

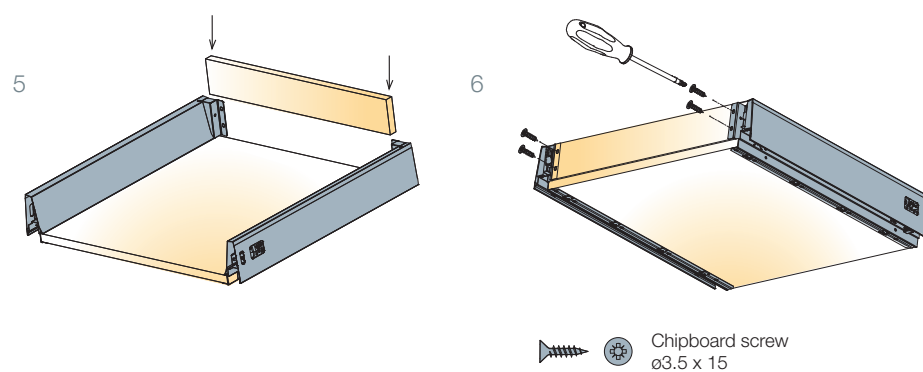
Connect the drawer sides to the bottom panel (1) and fix it with screws (2)



Insert the rear connector vertically (3) and push it downwards into recess in the drawer side (4)



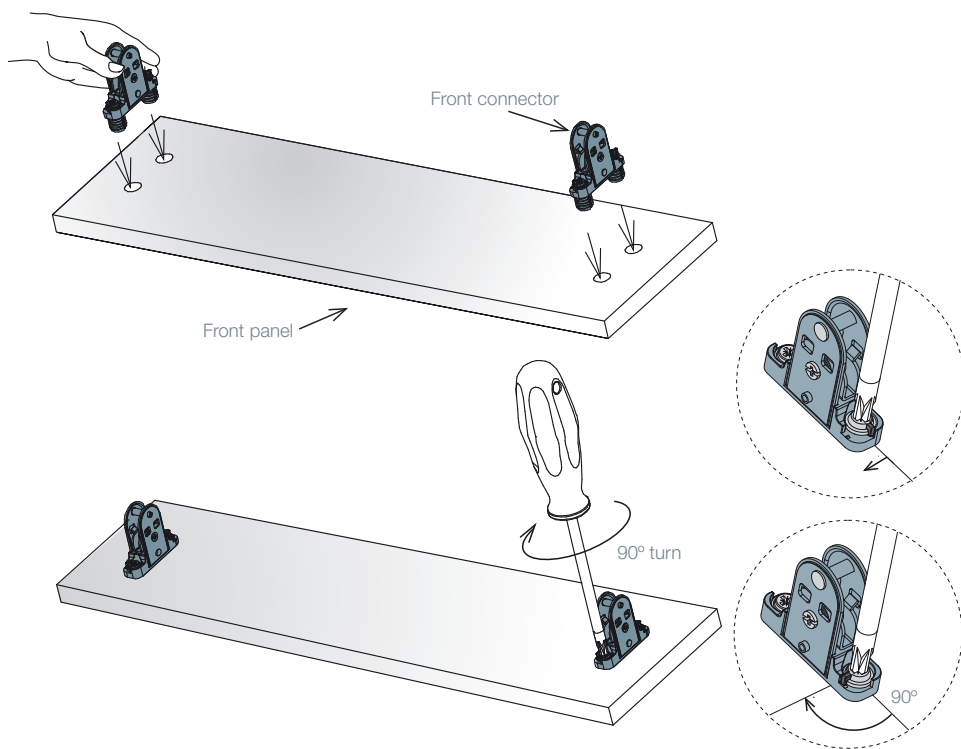
Insert the back panel (5) and fix it with screws (6)



Insertion of front connectors

EasyFix

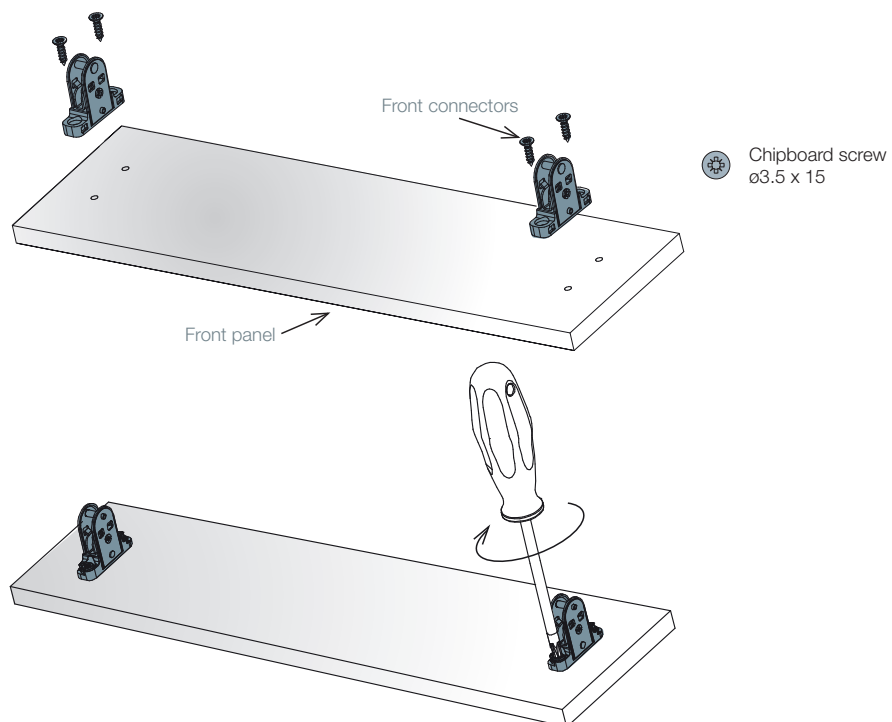
Insert the front connectors into holes on the front panel



Turn the screws for 90° into locked position

Screw-in fixing

Use $\varnothing 3.5 \times 15\text{mm}$ for fixing

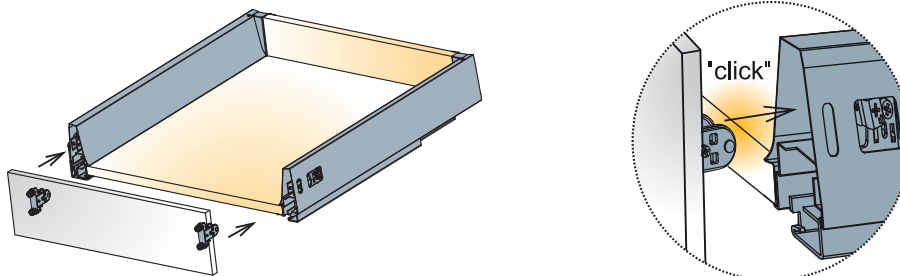


Installation Instructions

Front panel mounting / removal

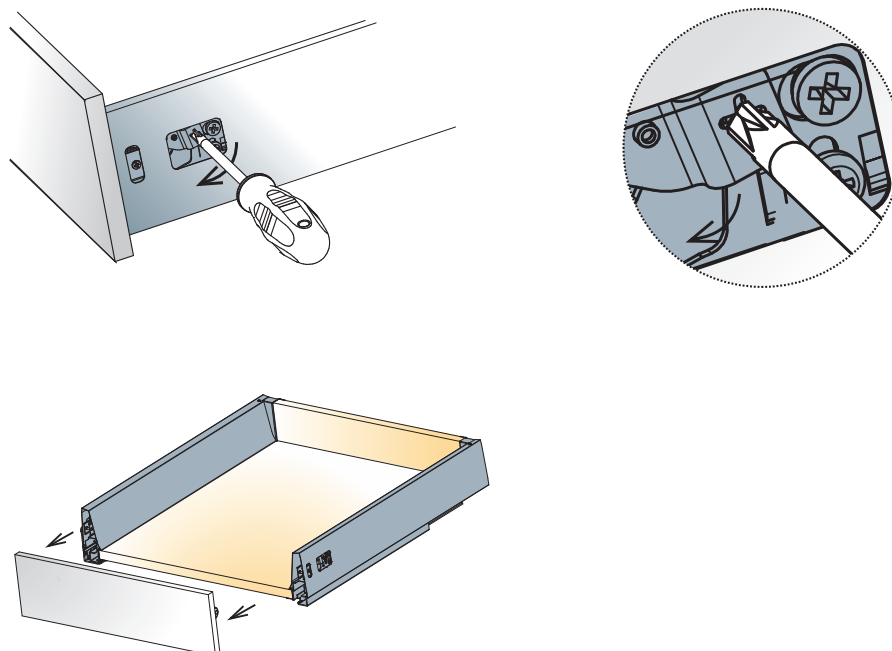
Mounting

Attach the front panel to the drawer and press to click



Removal

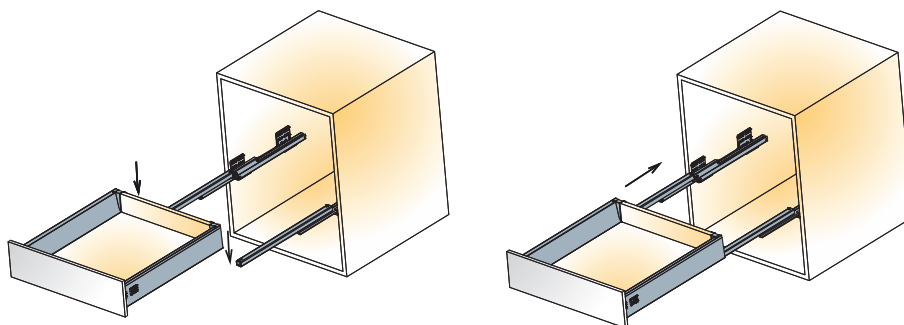
Pull down with the screwdriver and rotate to disengage



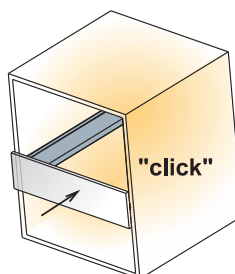
Drawer insertion / removal

Insertion

Put the drawer horizontally on the runners and push towards the cabinet until you hear the drawer is locked

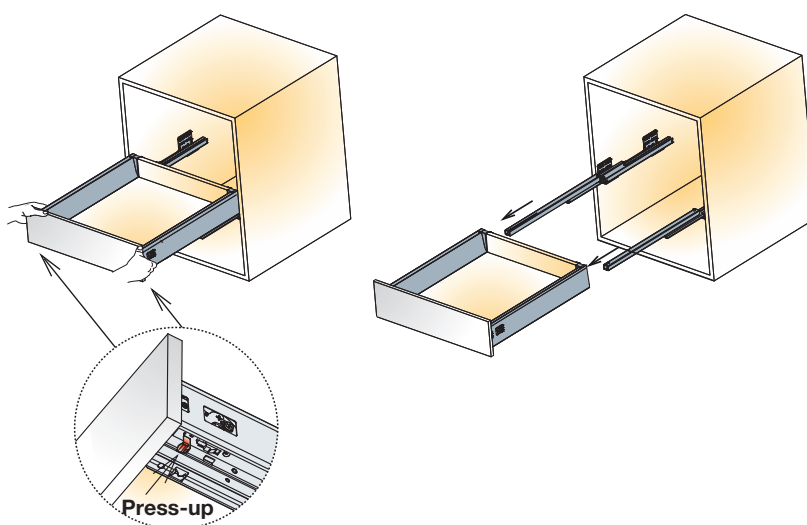


Push to fully close



Removal

Press the button under a drawer
keep pressed to pull the drawer out



Adjustments



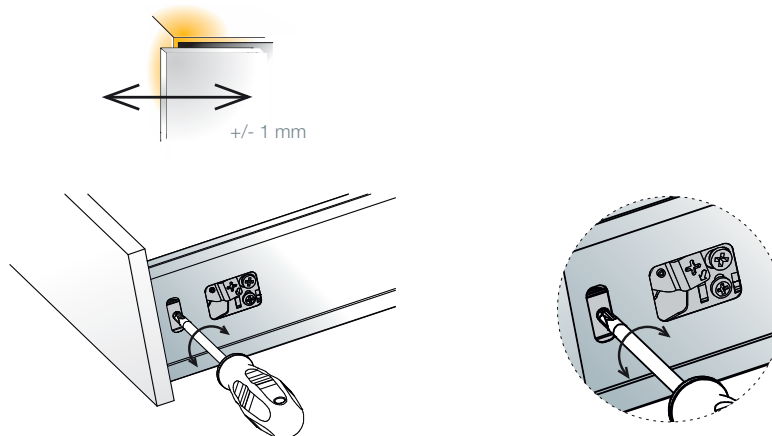
Adjustment needs to be done on both sides of the drawer

Side / Height adjustment

Side adjustment

The side adjustment enables drawer front alignment with the side of the cabinet and perfect lifetime opening and closing of the drawer.

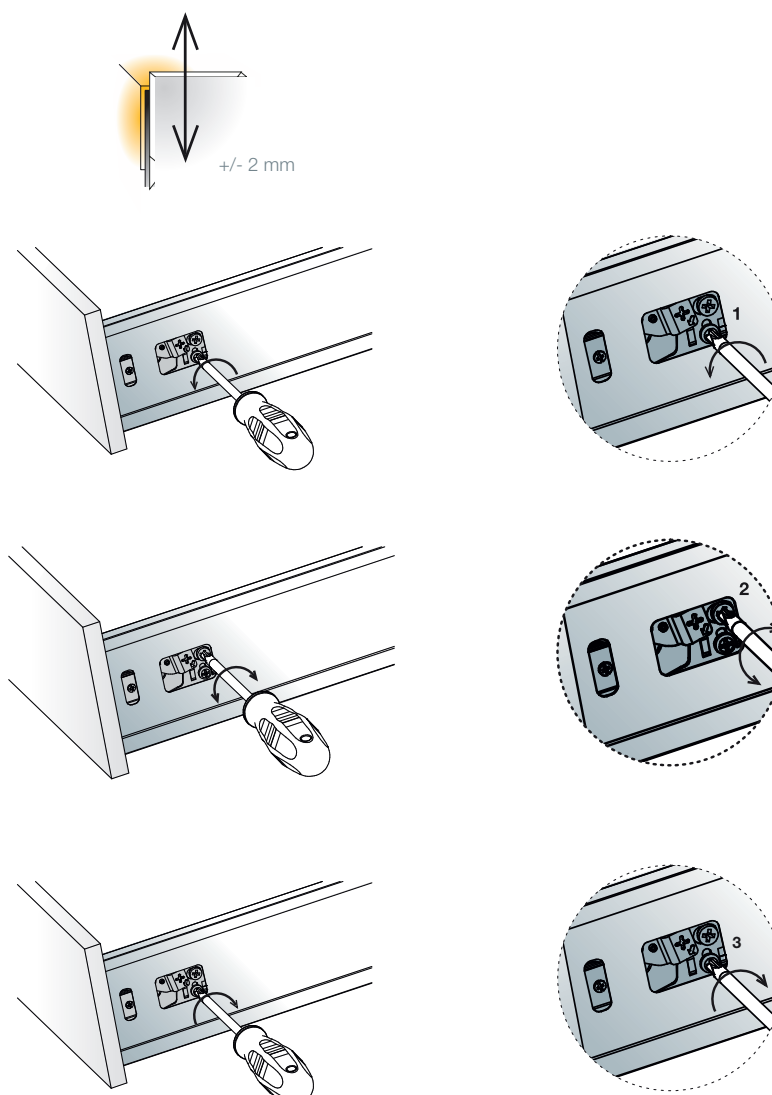
To align the drawer front with the cabinet side rotate the adjustment screw.



Height adjustment

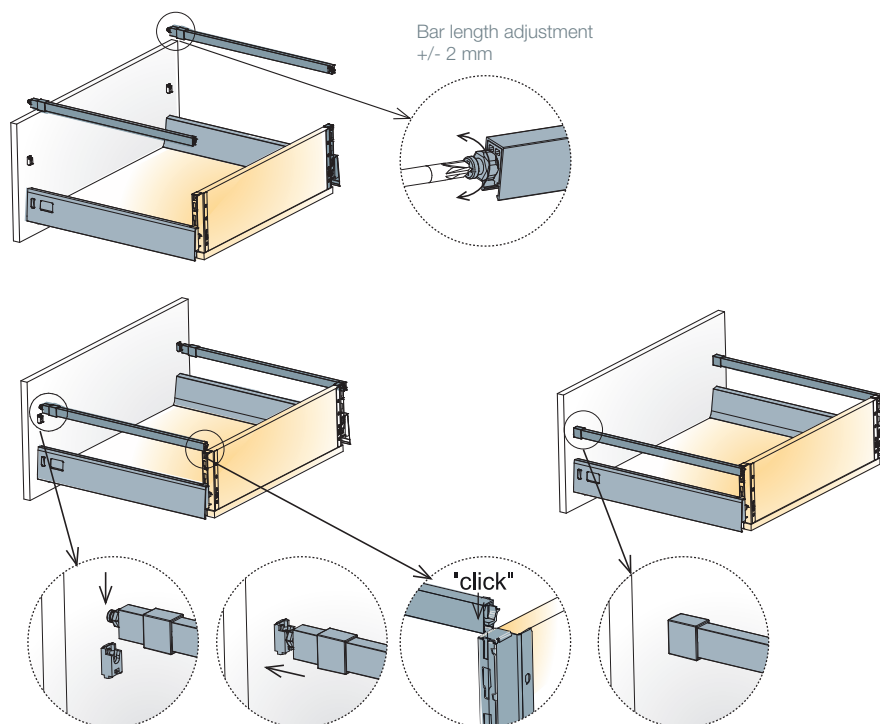
Height adjustment enables perfect vertical position of the drawer.

To align the drawer front release the locking screw (1), rotate the excentric dowel (2) and tighten the locking screw back (3)

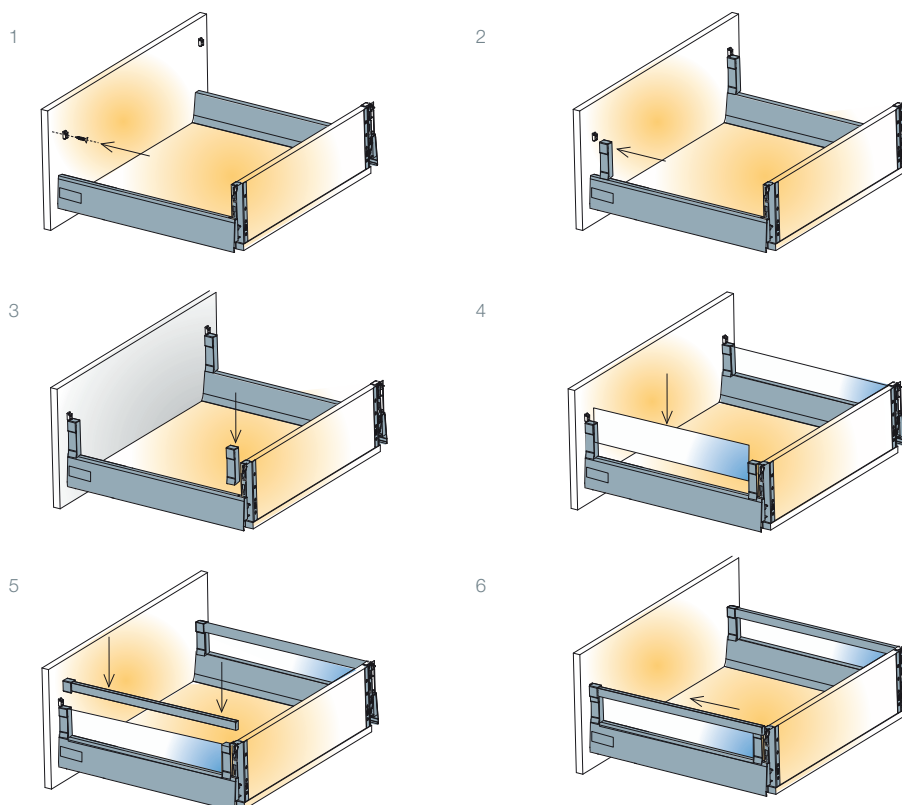


Mounting of accessories

Side bars (for DW145 and DW182)



Glass sides

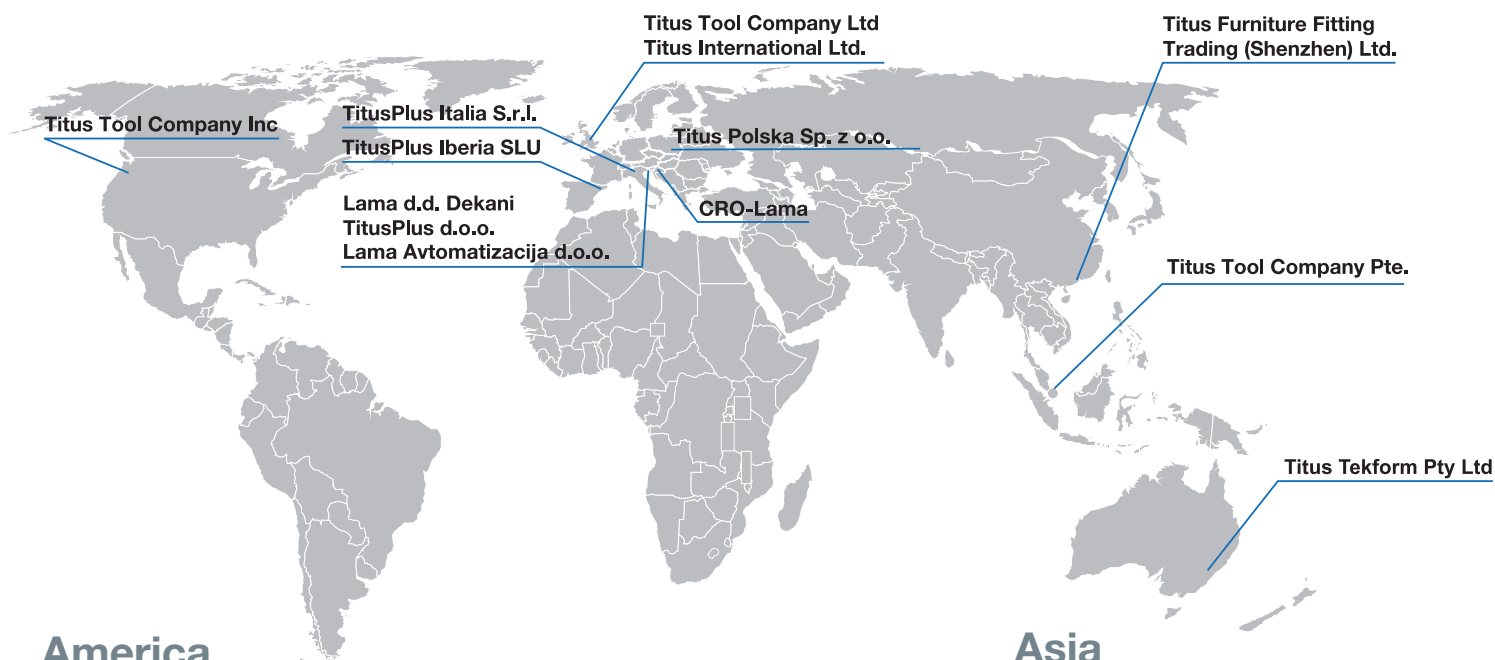


Index

Item number	Page	Item number	Page	Item number	Page	Item number	Page
650-8027	6	650-8704	13				
650-8030	6	650-8706	13				
650-8035	6	650-8708	13				
650-8040	6	650-8709	13				
650-8045	6	650-8710	13				
650-8050	6	650-8712	13				
650-8055	6	650-8713	13				
650-8127	8	650-8714	13				
650-8130	8	650-8715	13				
650-8135	8	650-8761	13				
650-8140	8	650-8762	13				
650-8145	8	650-8770	13				
650-8150	8	650-8771	13				
650-8155	8	650-8772	13				
650-8227	10	650-8773	13				
650-8230	10	650-8827	8				
650-8235	10	650-8830	8				
650-8240	10	650-8835	8				
650-8245	10	650-8840	8				
650-8250	10	650-8845	8				
650-8255	10	650-8850	8				
650-8327	6	650-8855	8				
650-8330	6	650-8927	10				
650-8335	6	650-8930	10				
650-8340	6	650-8935	10				
650-8345	6	650-8940	10				
650-8350	6	650-8945	10				
650-8355	6	650-8950	10				
650-8401	12	650-8955	10				
650-8402	12						
650-8403	12						
650-8404	12						
650-8405	12						
650-8406	12						
650-8407	12						
650-8427	12						
650-8430	12						
650-8435	12						
650-8440	12						
650-8445	12						
650-8450	12						
650-8455	12						
650-8484	12						
650-8485	12						
650-8703	13						

Global player

Worldwide design, manufacturing and distribution capabilities



America

Titus Tool Co. Inc.
800 5th Avenue
Suite 4100
Seattle, WA 98104
USA
800 762 1616 toll free
+1 253 872 2829
+1 253 872 2827 Fax

Europe

TitusPlus d.o.o.
Dekani 5
SI-6271 Dekani
Slovenia
+386 566 90 213
+386 566 90 205 Fax

Lama d.d. Dekani
Dekani 5
SI-6271 Dekani
Slovenia
+386 566 90 213
+386 566 90 205 Fax

Titus Technologies
Lama Avtomatizacija d.o.o.
Dekani 5
SI-6271 Dekani
Slovenia
+386 566 90 432
+386 566 90 431 Fax

Titus Tool Company Ltd.
10 Blackburn Industrial Estate
Enterprise Way
Sherburn in Elmet
LS256NA
United Kingdom
+44 1977682 582
+44 1977680 481 Fax

CRO-Lama
Rakitska 10a
Rakitje
HR-10437 Bestovje
Croatia
+385 1 3323 033
+385 1 3323 233 Fax

Titus Polska Sp. z o.o.
ul. Stefańskiego 17 A
PL-62-002 Suchy Las/Poznań
Poland
+4861 811 5402 Phone/Fax
+4861 811 5684 Phone/Fax
+4861 821 9362

TitusPlus Italia Srl
Via Aquileia 9
Frazione Olmi
31048 San Biagio di Callalta (TV)
+39 04 221 650 120
+39 04 221 650 136 Fax

TitusPlus Iberia SLU
C/ Gran Bretanya 34
08520 Les Franqueses del Valles
(Barcelona)
+34 938 715 404
+34 938 605 498 Fax

Australia

Titus Tekform Pty Ltd
Unit 1, 41-43 Whyalla Place
Prestons NSW 2170
Australia
+61 2 9286 0007
+61 2 9826 0074 Fax

Asia

Titus Tool Co. Pte. Ltd.
5004 Ang Mo Kio Ave 5
Techplace II #04-01
Singapore 569872
+656383 3922
+656383 3178 Fax

Titus Furniture Fitting Trading Shenzhen Ltd
80B ShenFu Bao
Building 128
Ronghua Road
Futian Free Trade Zone
Shenzhen
China
Pc 551238
+867 558 348 0916
+867 558 359 2676 Fax

Headquarters

Titus International Ltd
Brook House
54a Cowely Mill Road
Uxbridge, Middlesex
UB8 2QE
United Kingdom
+44 1895 203 730
+44 1895 252 793 Fax

Your authorized dealer