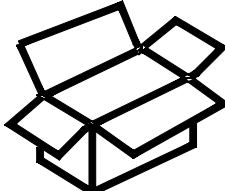
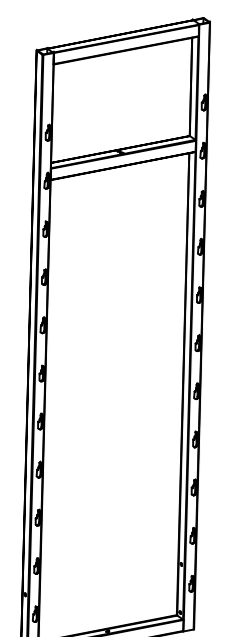
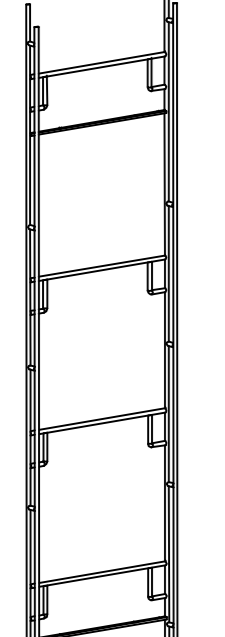
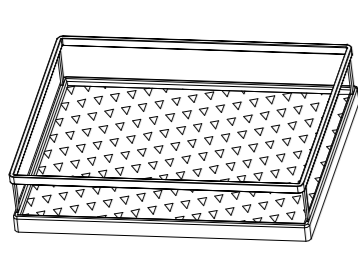
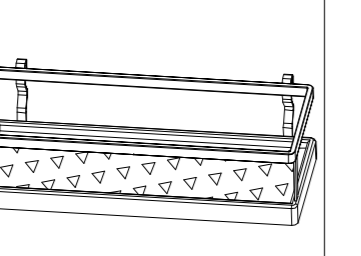
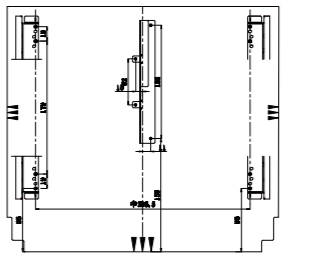
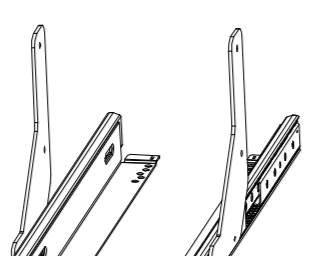
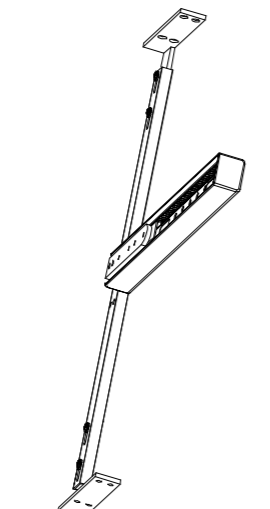
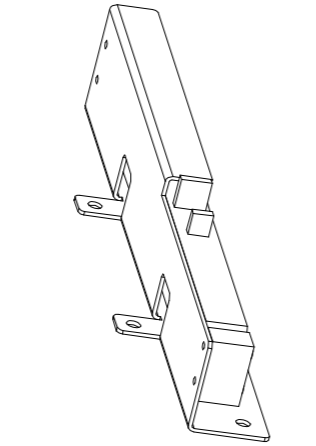
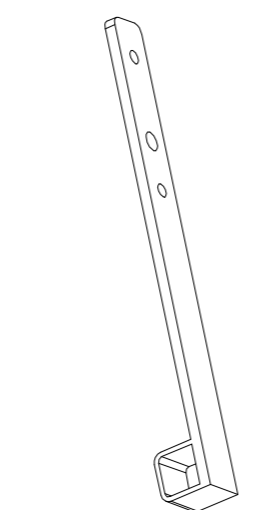
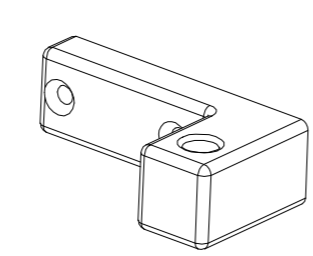
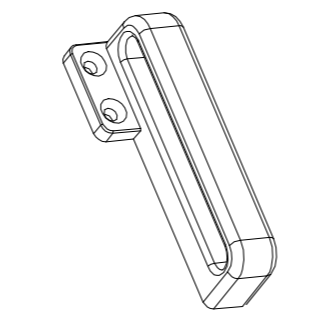
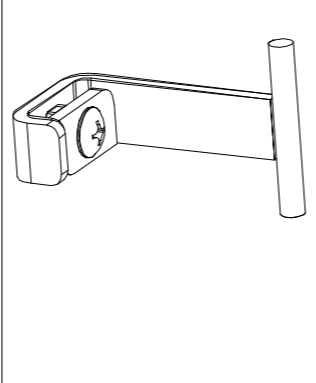
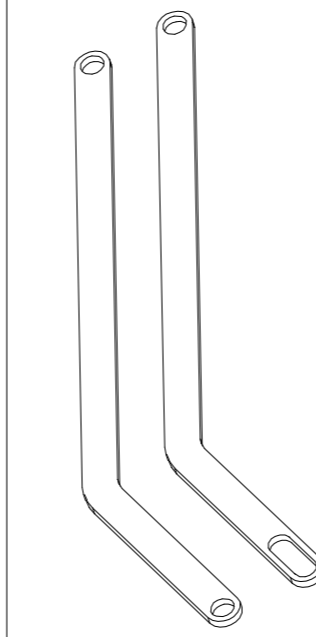
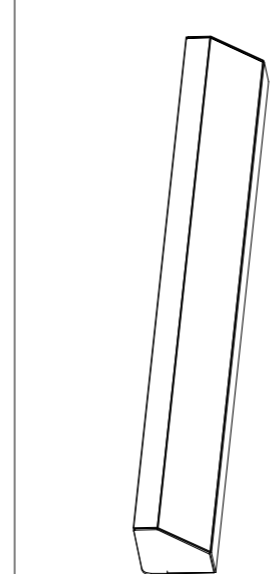
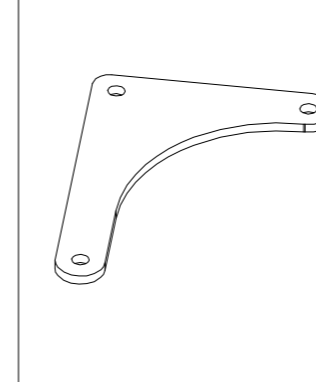
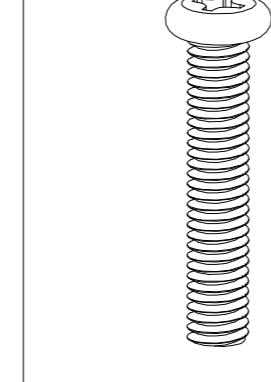
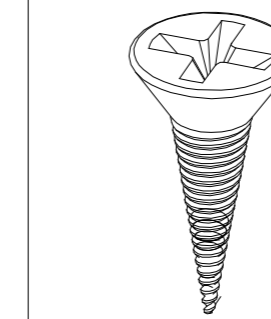
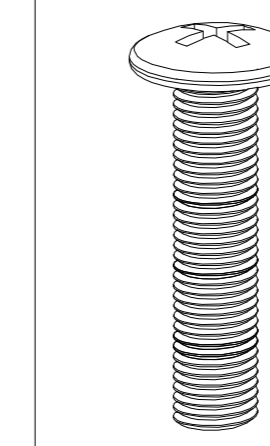
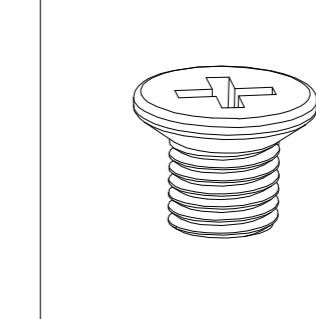
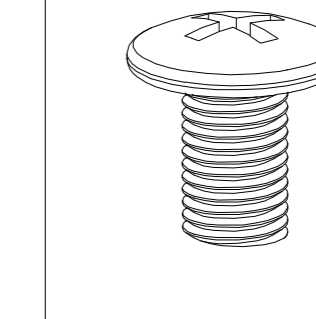
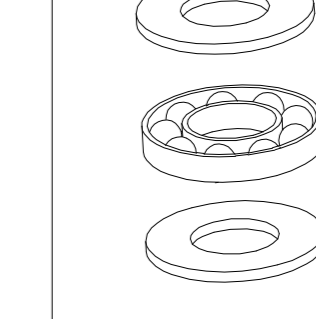
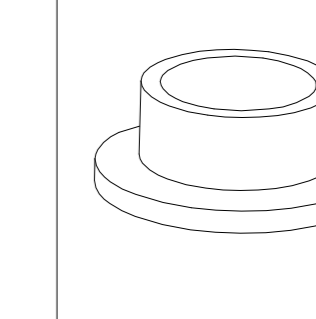
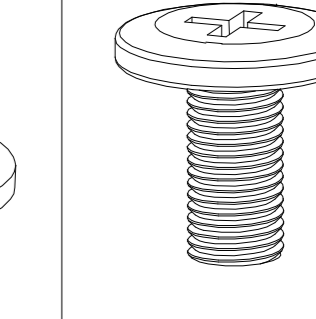
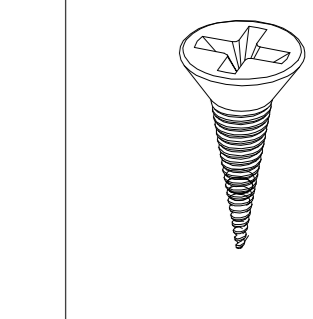


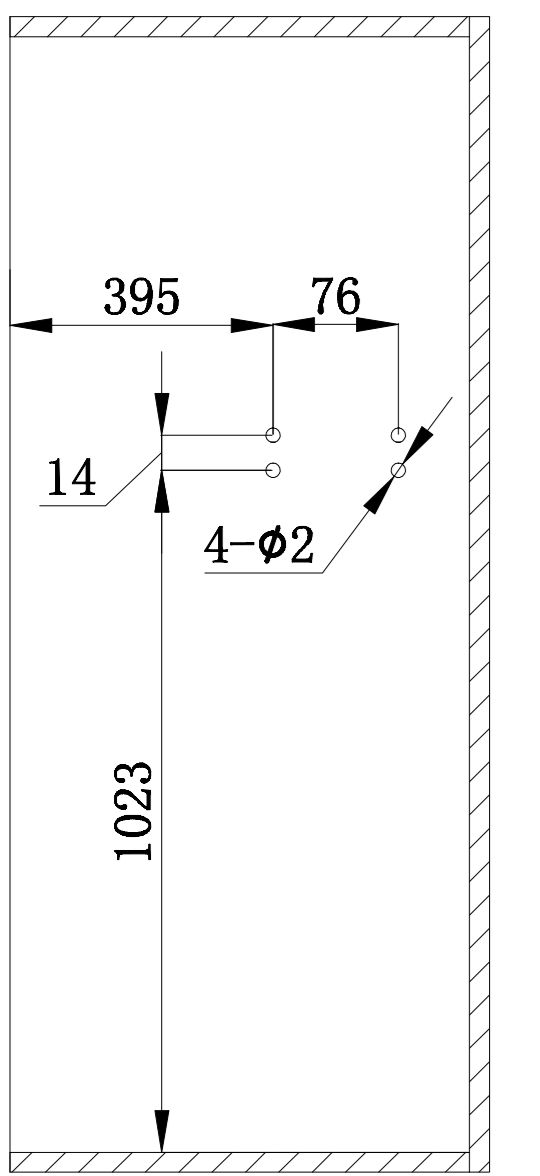
Column Abatible Modelo

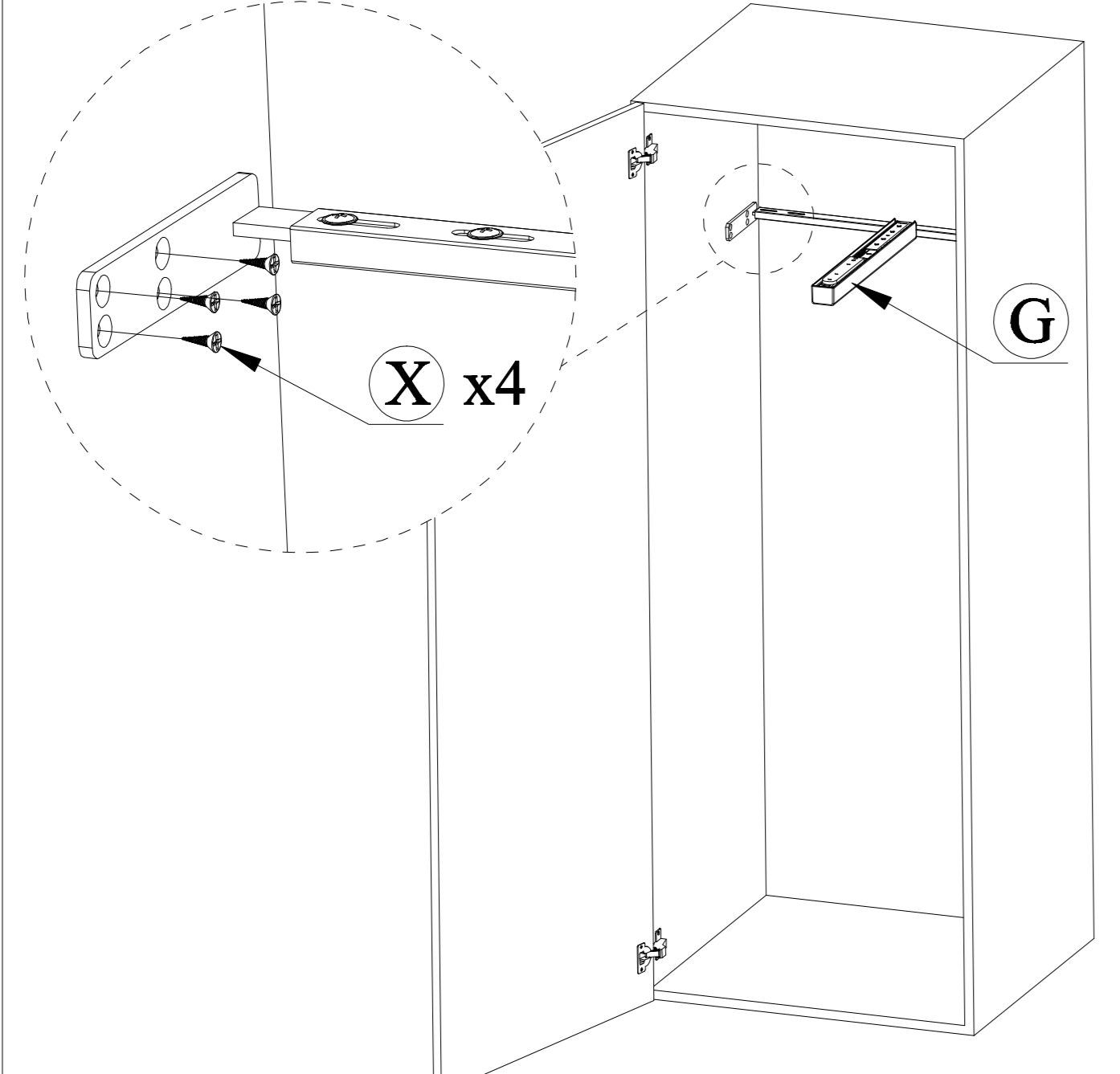
12200645

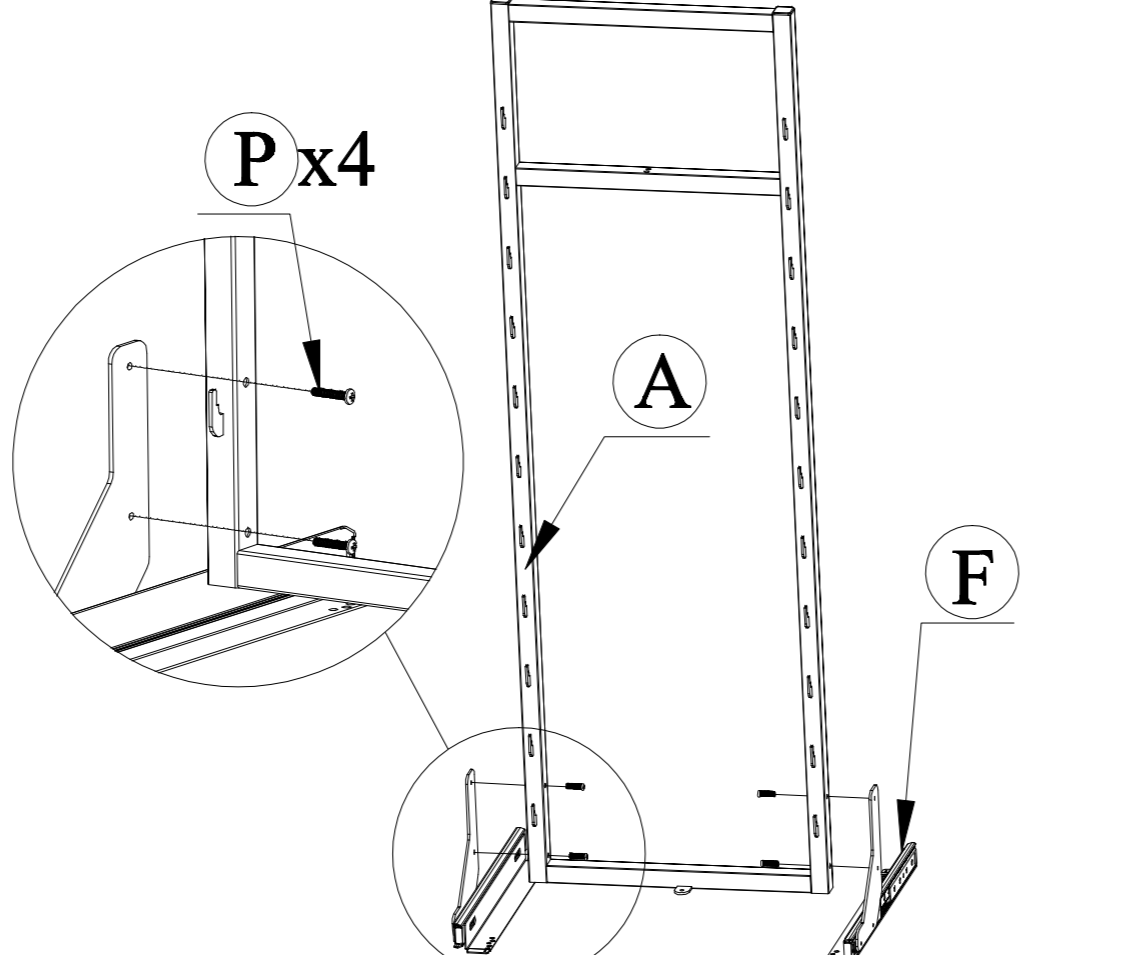
																							
A	B	C	D	E	F	G	H	I	J	K	L	M	N	O	P	Q	R	S	T	U	V	W	X
1 Pcs	1 Pcs	4 Pcs	4 Pcs	1 Pcs	1 Pcs	1 Pcs	1 Pcs	1 Pcs	2 Pcs	2 Pcs	2 Pcs	1 Pcs	2 Pcs	2 Pcs	6 Pcs	4 Pcs	1 Pcs	1 Pcs	4 Pcs	2 Pcs	4 Pcs	4 Pcs	28 Pcs
																							

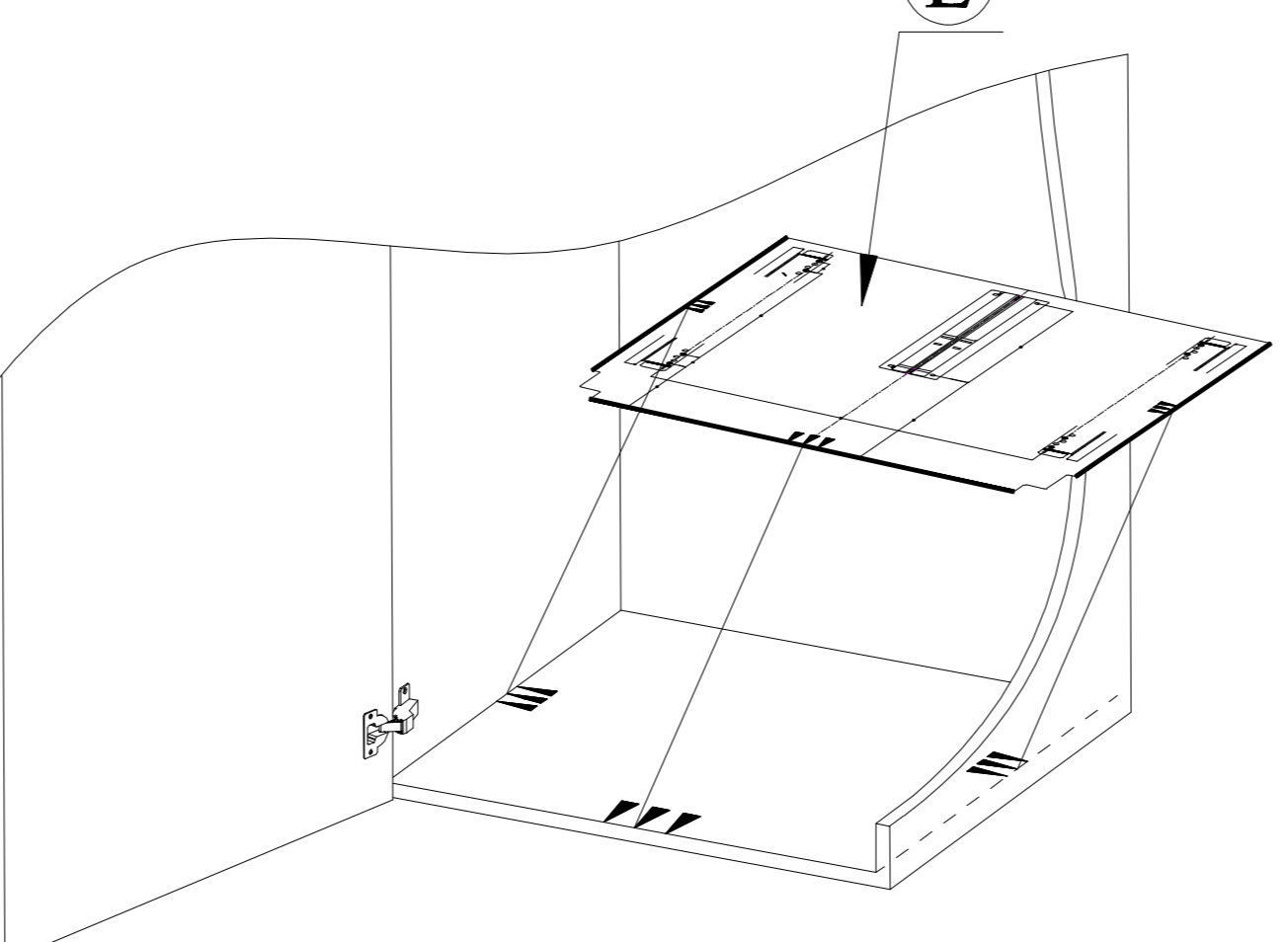
1 	2  	3  	4 	5  	6  
--------------------------------------------------------------------------------------------	------------------------------------------------------------------------------------------------------------------------------------------------------------------------------	-------------------------------------------------------------------------------------------------------------------------------------------------------------------------------	----------------------------------------------------------------------------------------------	----------------------------------------------------------------------------------------------------------------------------------------------------------------------------------	----------------------------------------------------------------------------------------------------------------------------------------------------------------------------------

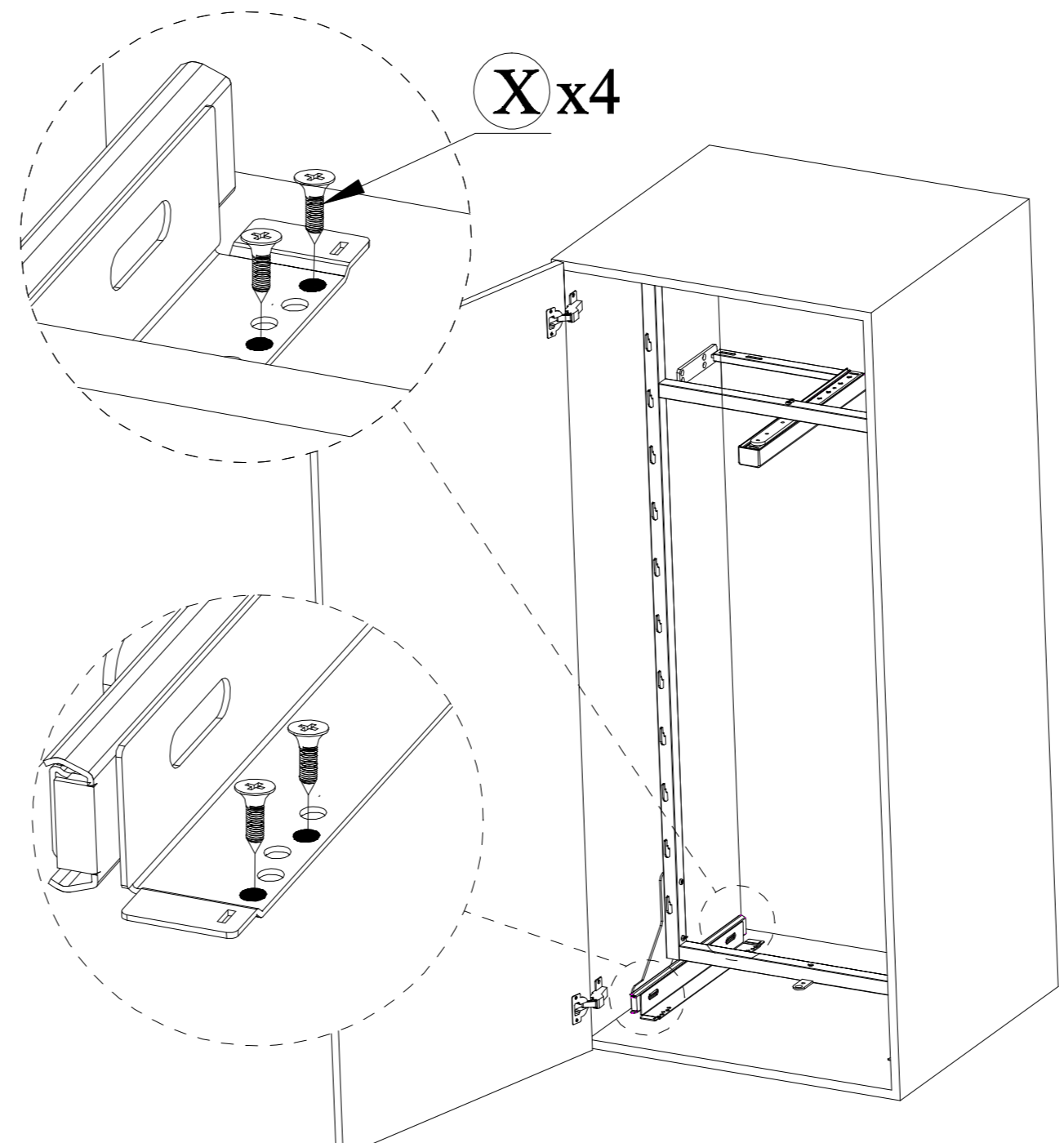
L

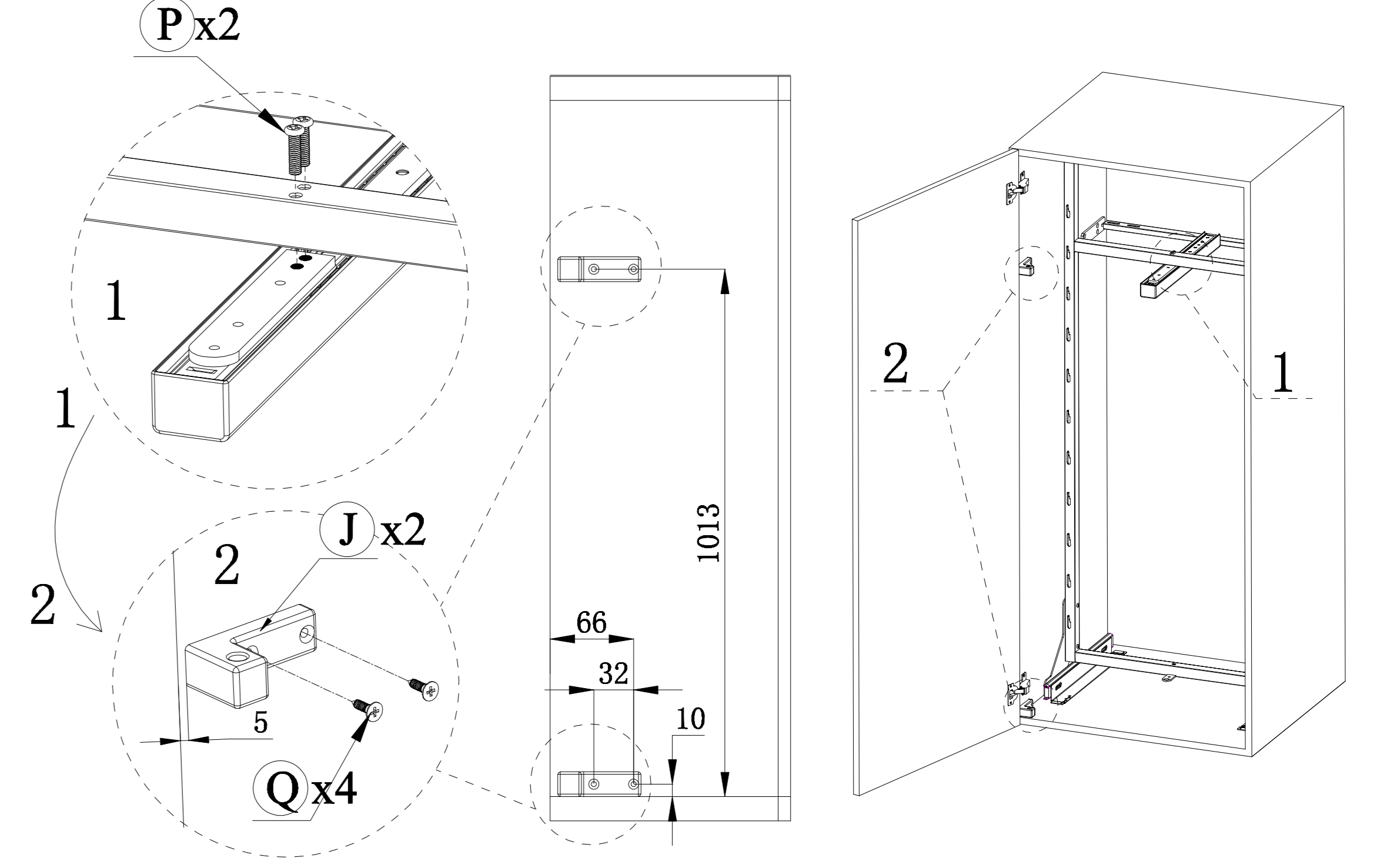






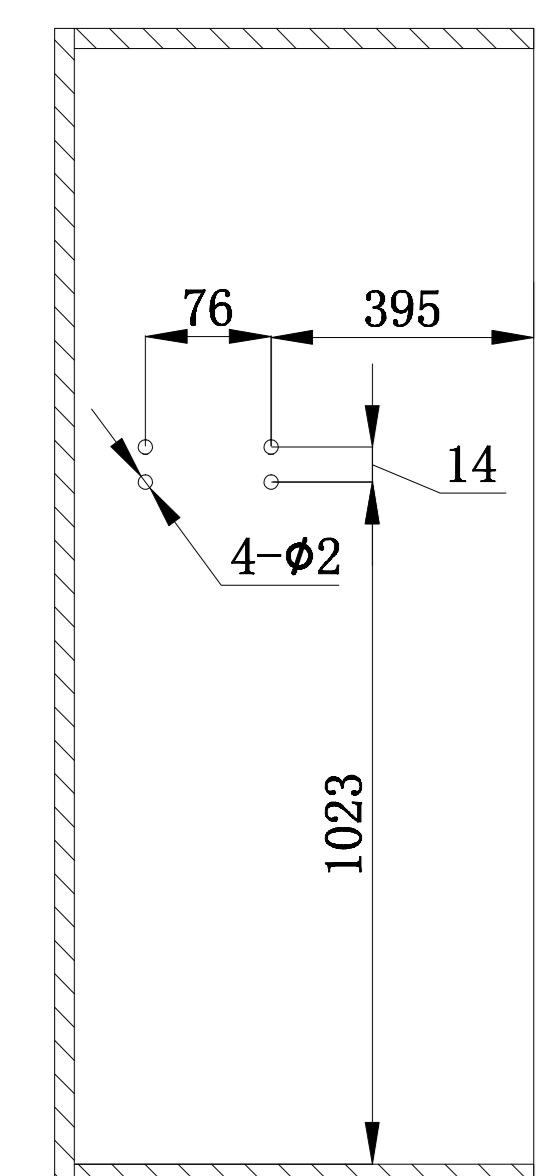


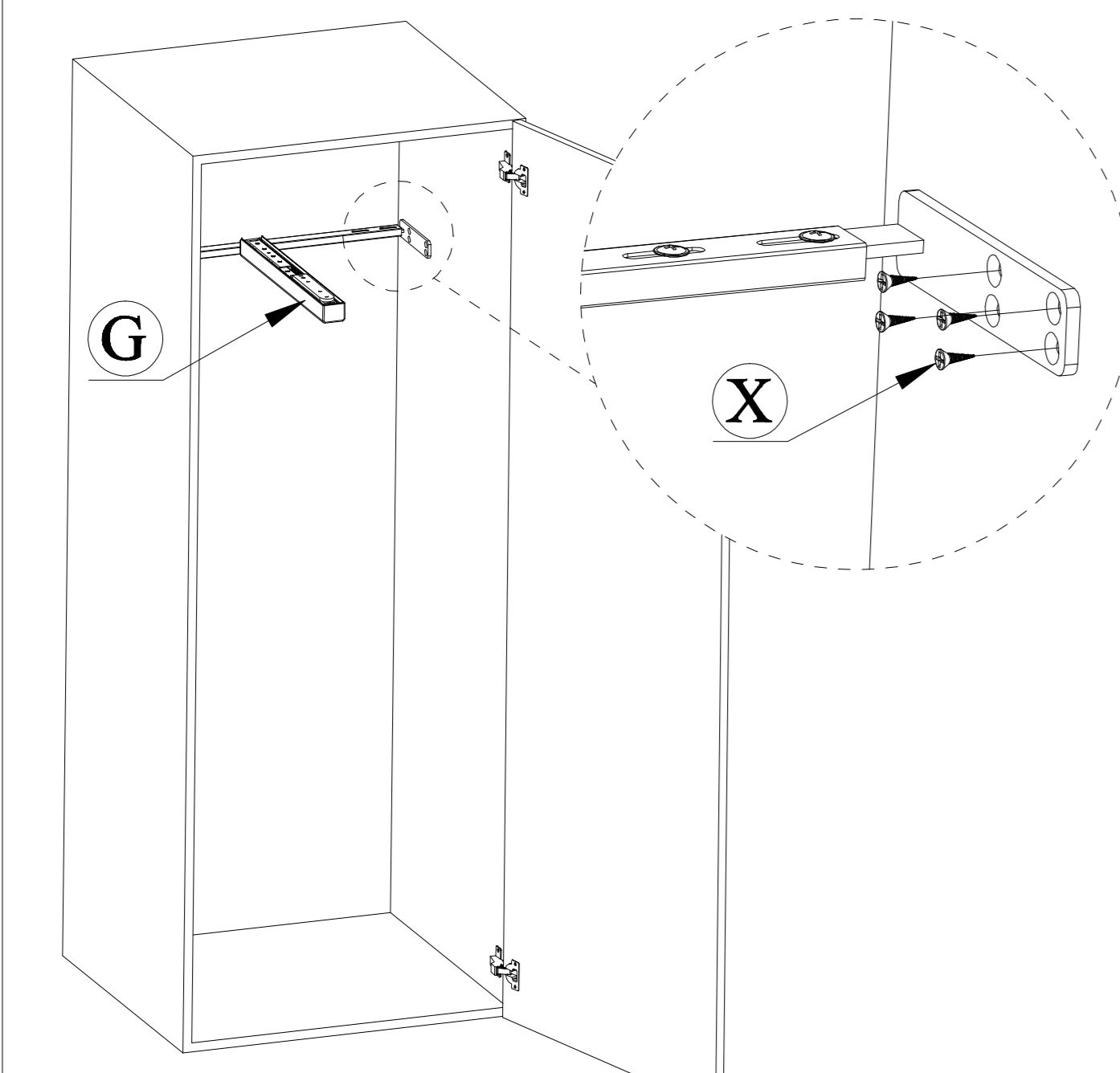


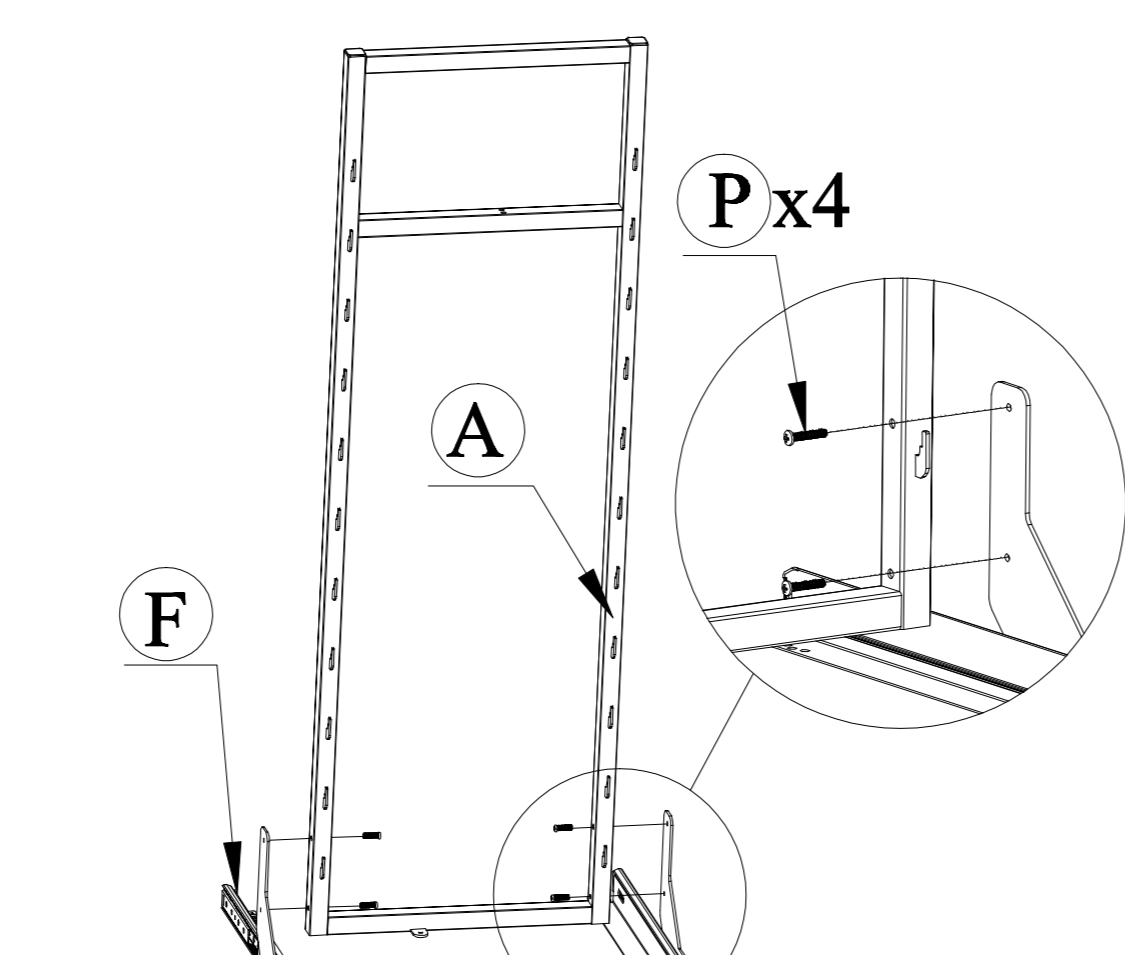


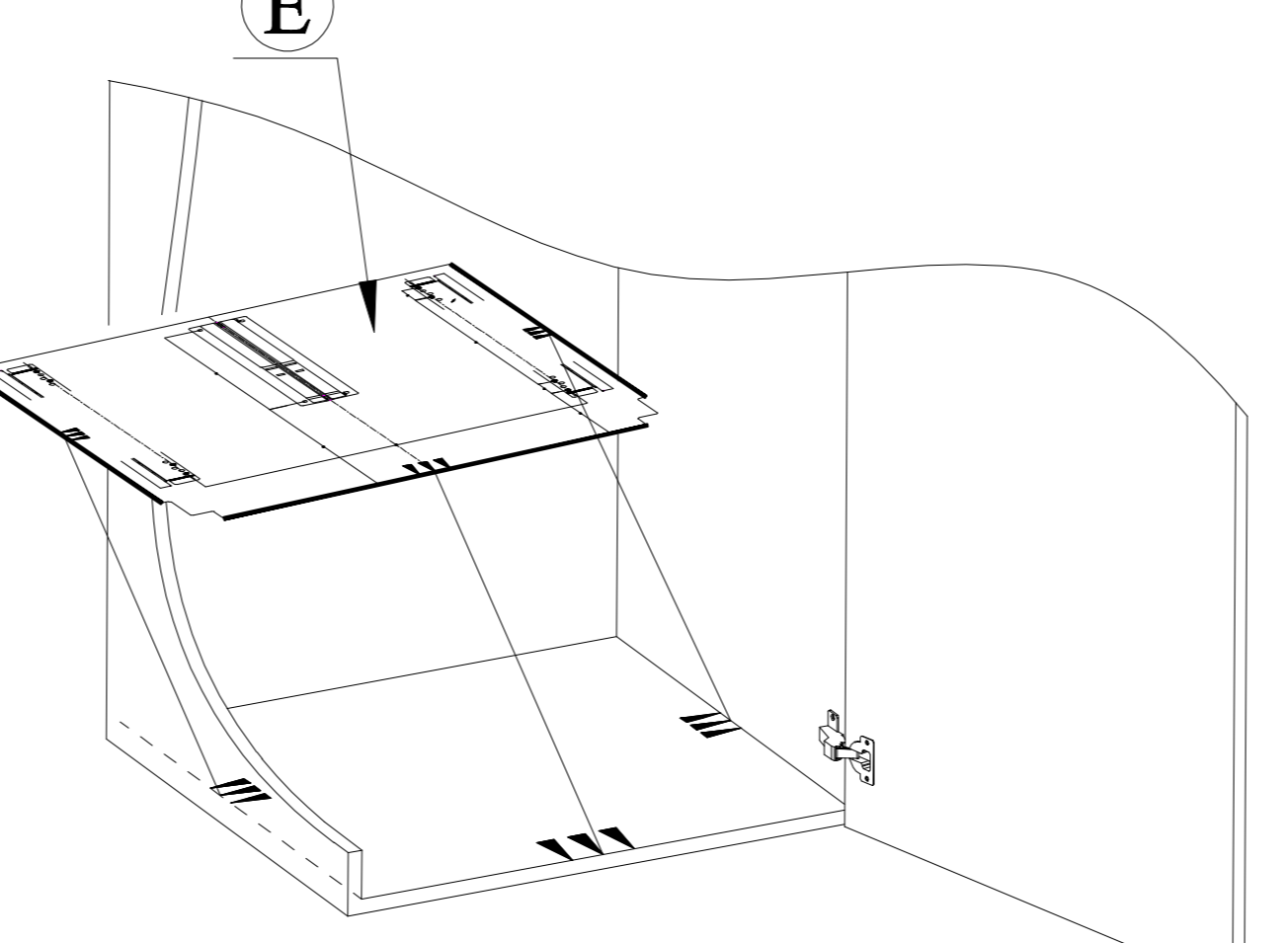
1 	2  	3  	4 	5  	6  
----------------------------------------------------------------------------------------------	----------------------------------------------------------------------------------------------------------------------------------------------------------------------------------	-----------------------------------------------------------------------------------------------------------------------------------------------------------------------------------	------------------------------------------------------------------------------------------------	--------------------------------------------------------------------------------------------------------------------------------------------------------------------------------------	--------------------------------------------------------------------------------------------------------------------------------------------------------------------------------------

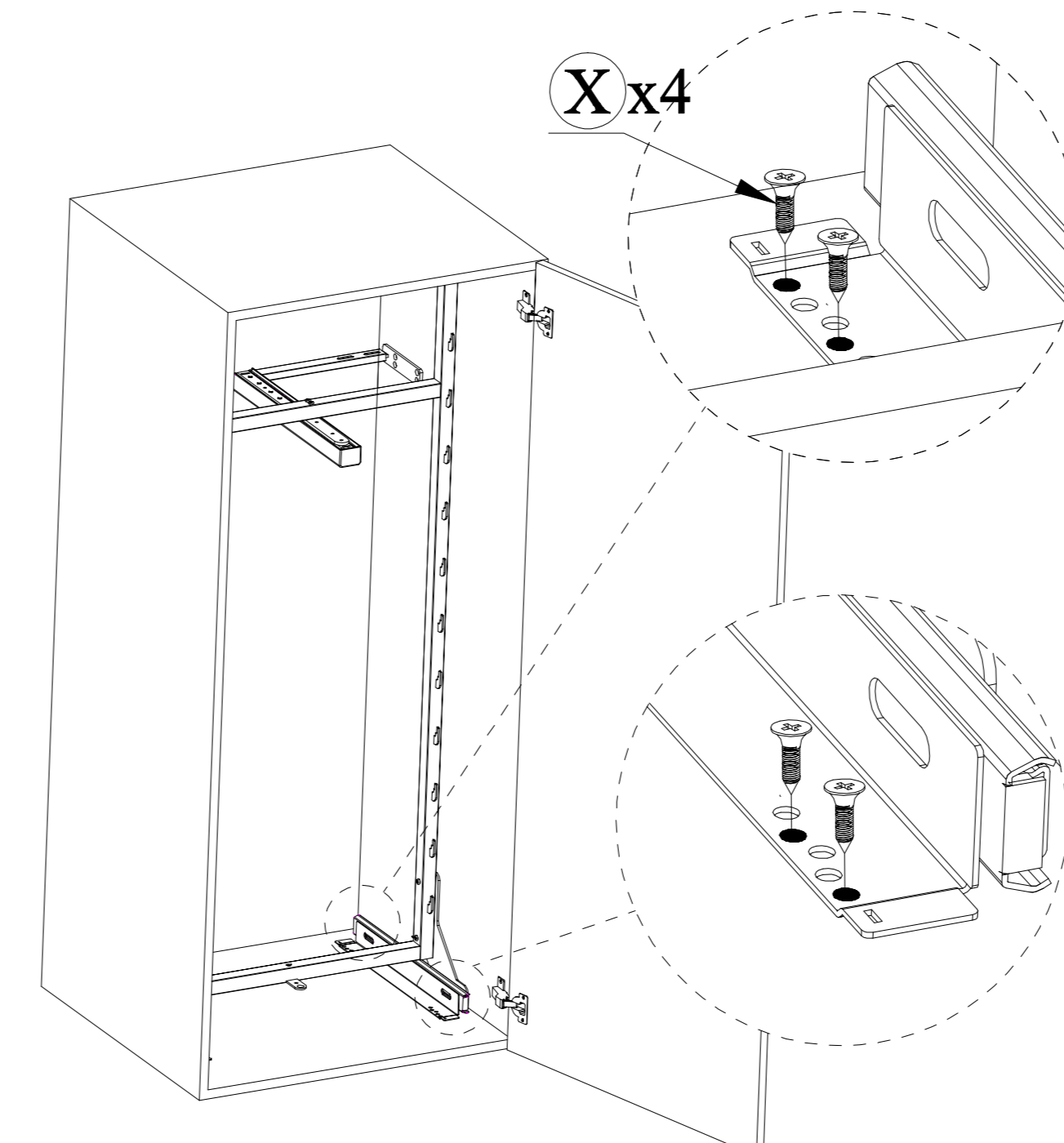
R

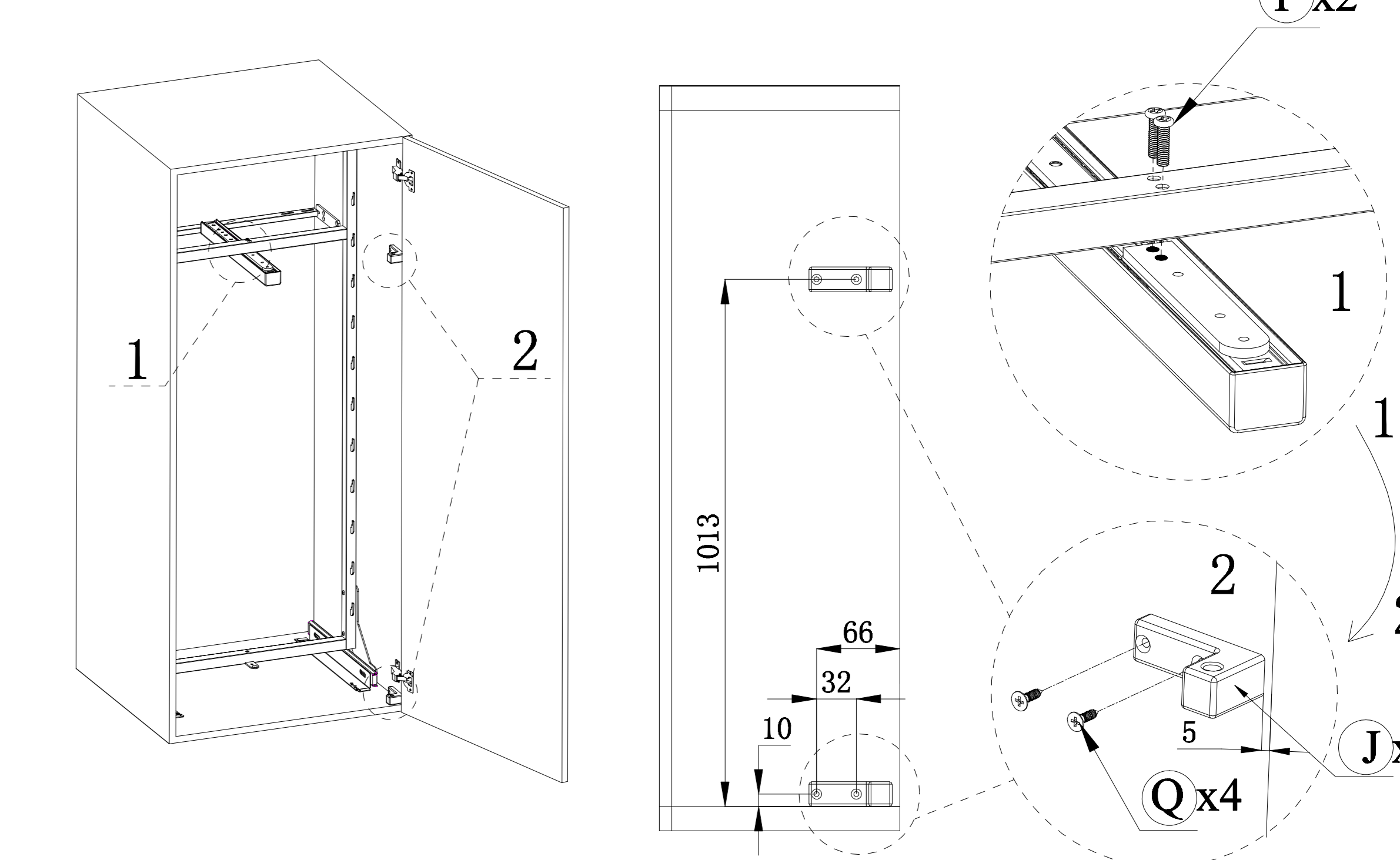


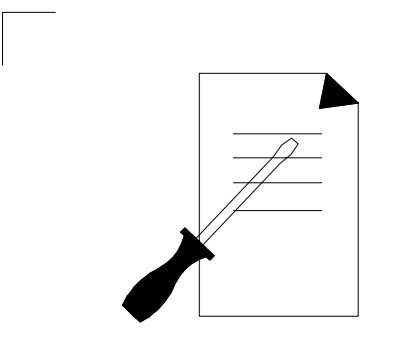












7

L

H I Xx4

1 2 3

1 → 2 → 3

8

B T x2 L O

9

U

10

K x2 X x8

16 33 1300 55

7

R

H I Xx4

1 2 3

1 → 2 → 3

8

L T x2 B O

9

U

10

K x2 X x8

16 33 1300 55

11

L

W x2 V x2 M

12

N x2

13

D x6 C x6

11

R

W x2 V x2 M

12

N x2

13

C x6 D x6