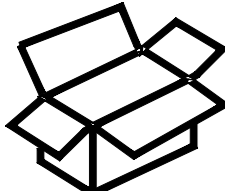
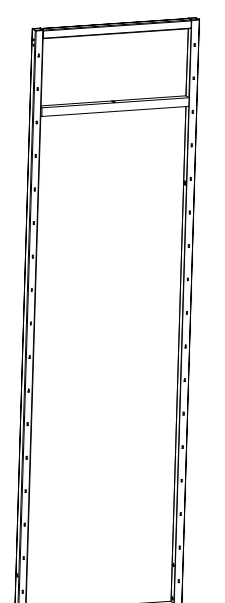
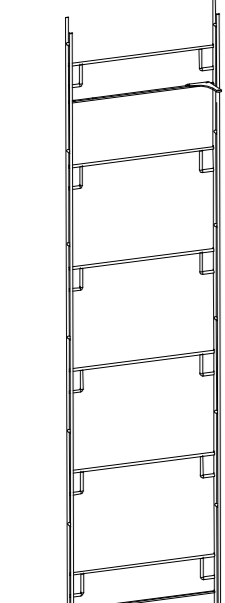
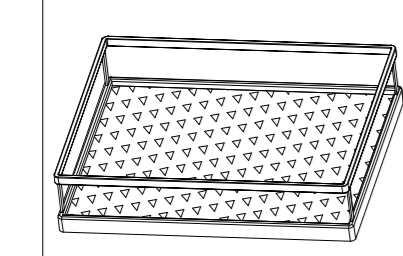
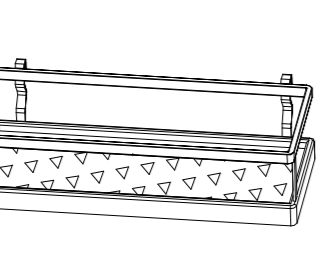
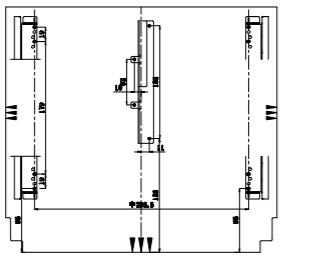
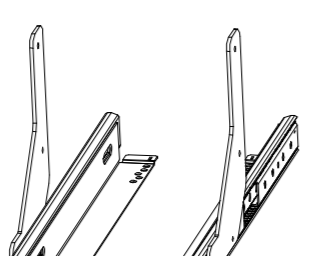
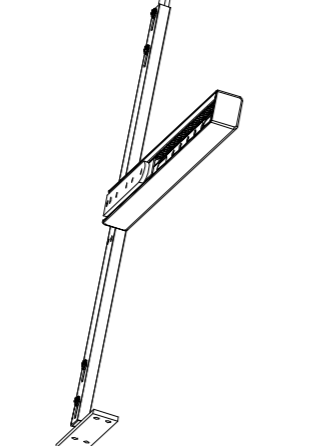
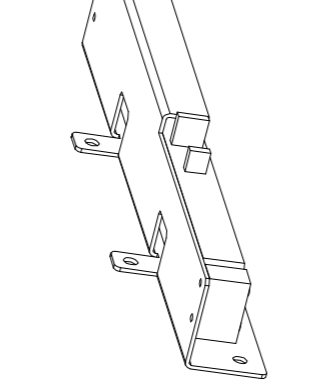
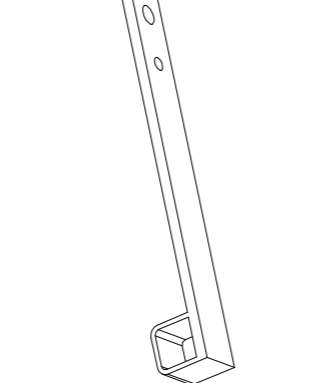
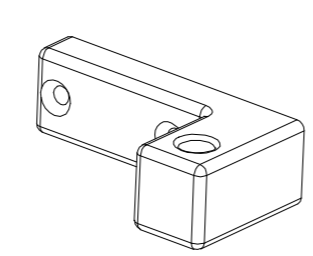
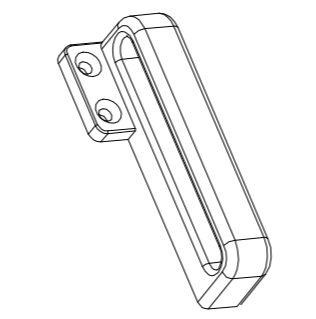
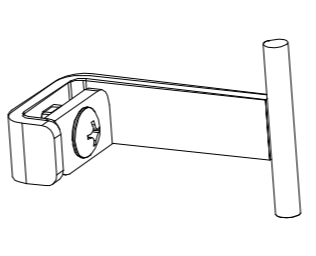
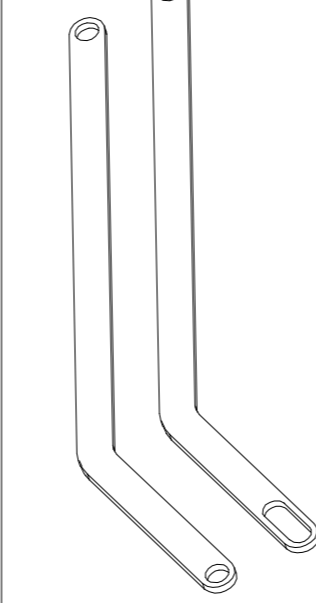
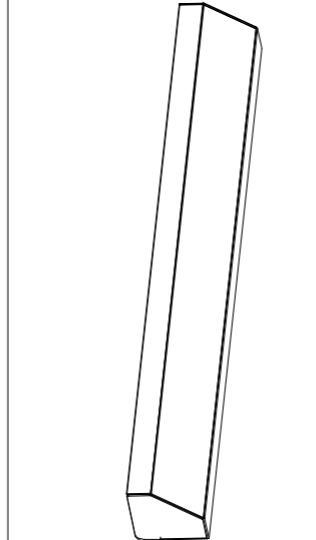
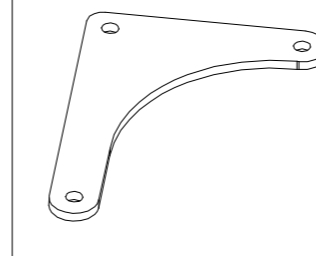
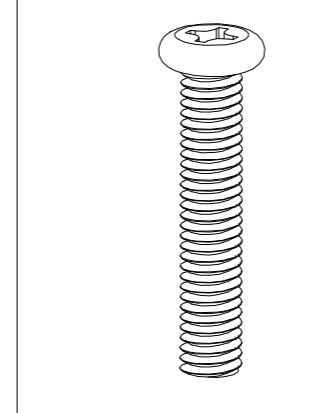
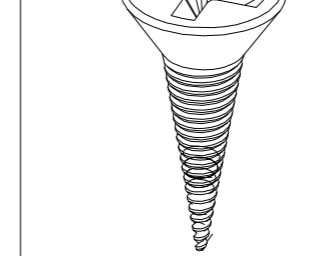
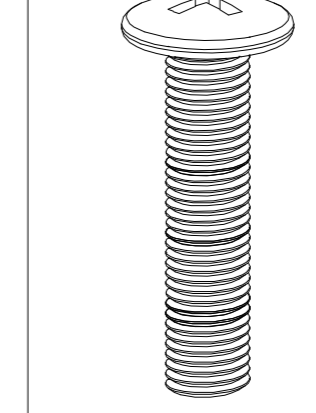
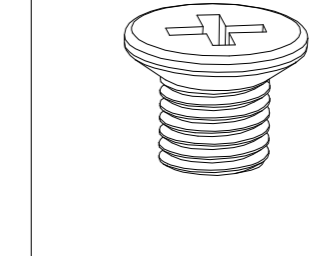
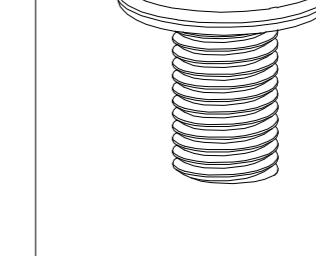
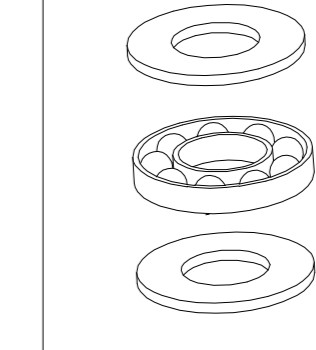
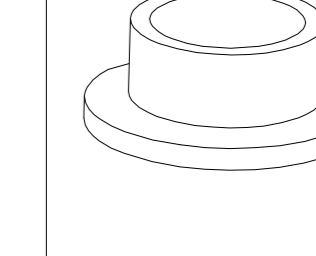
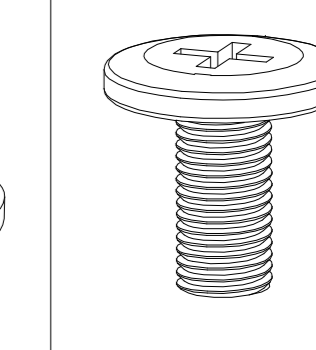
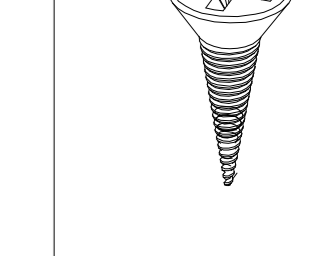


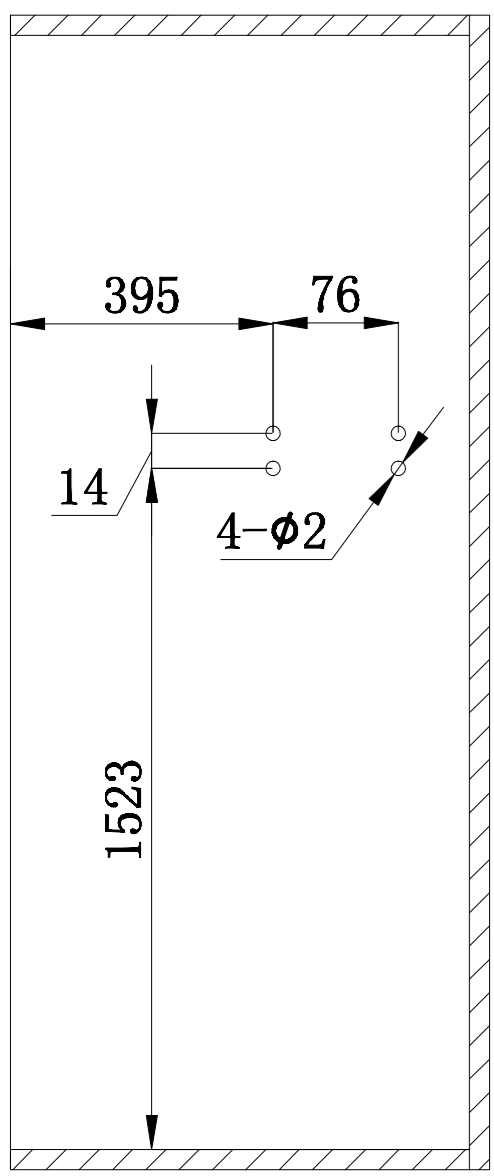
# Column Abatible Modelo

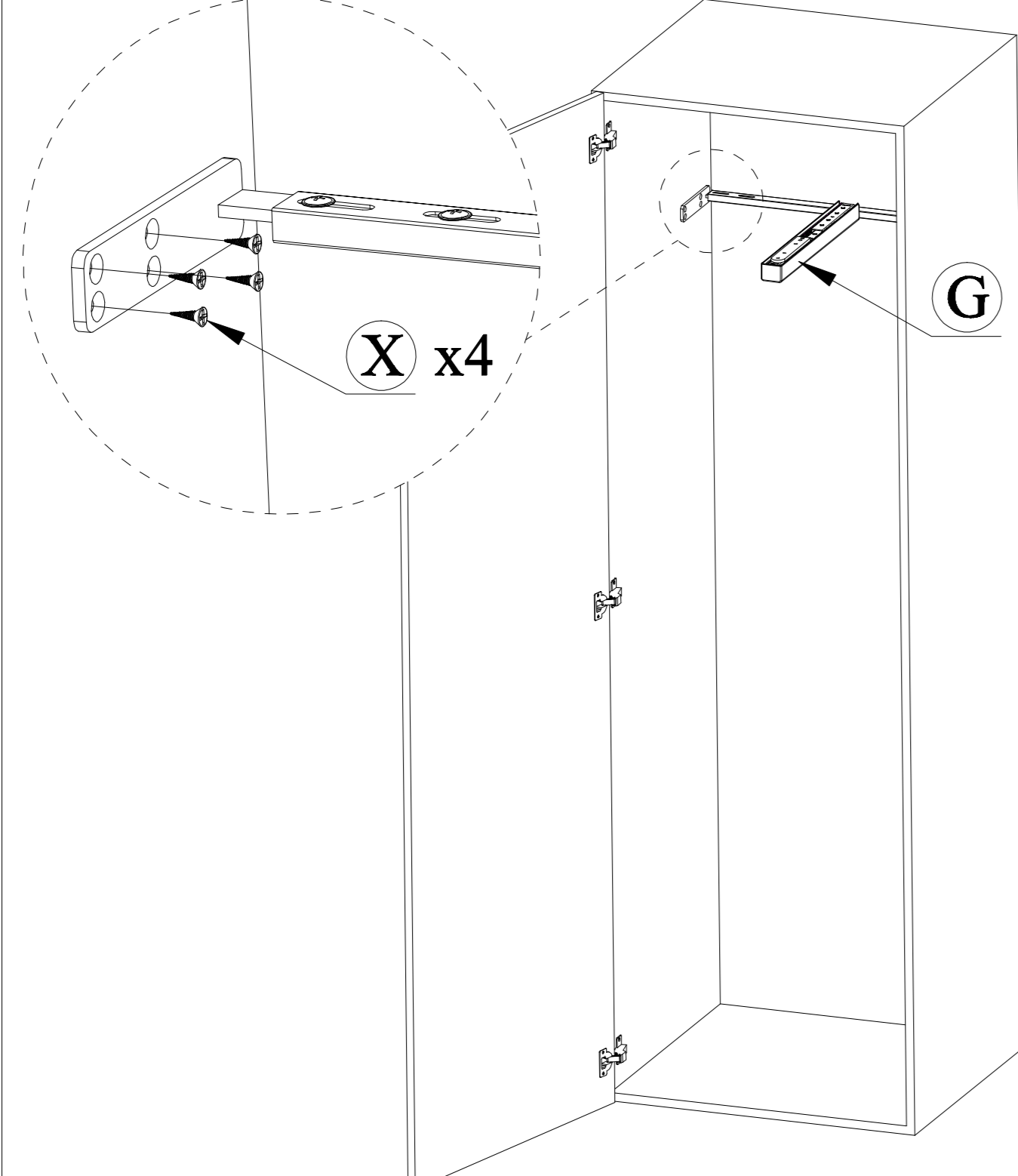
12200646

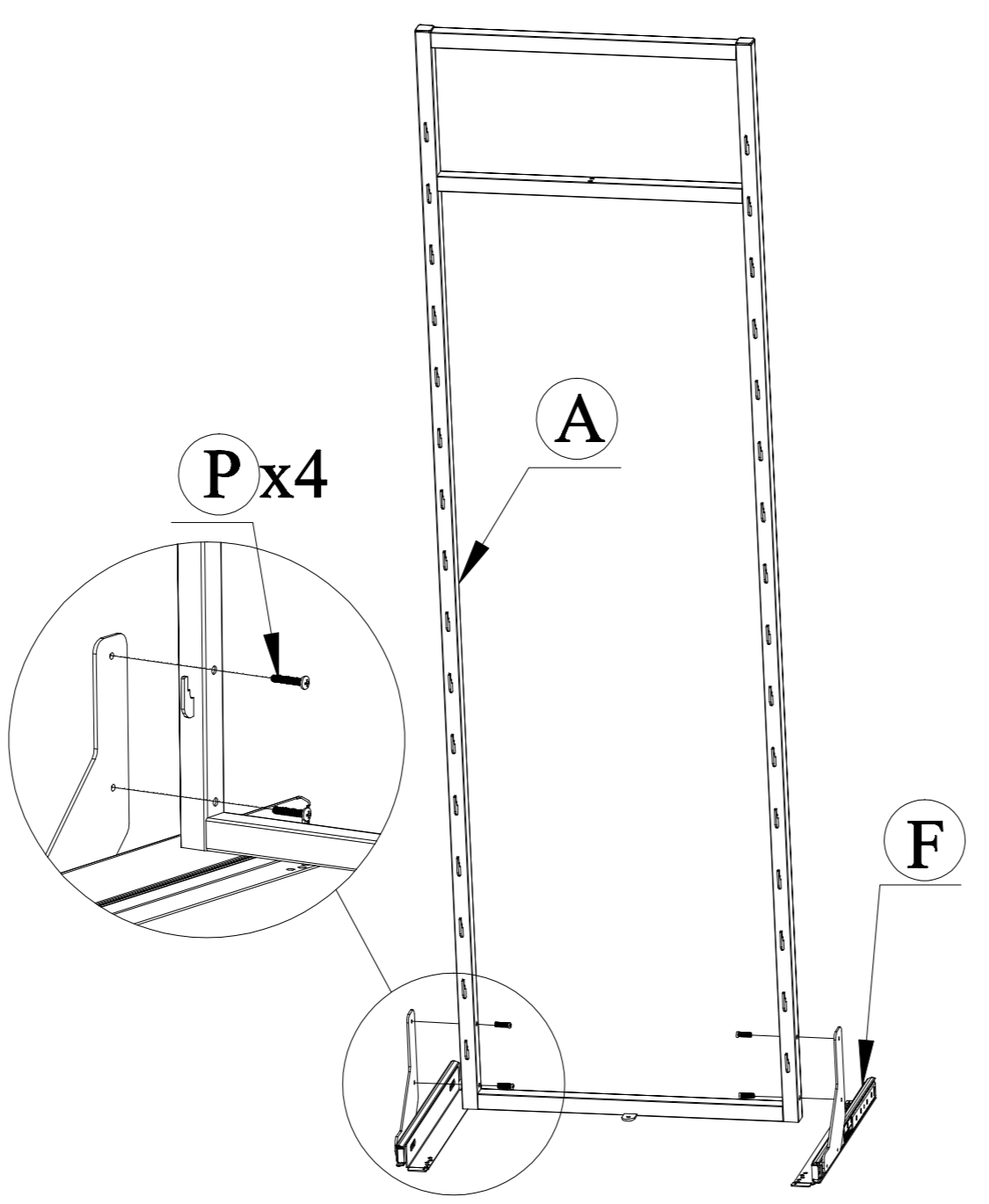
																							
A	B	C	D	E	F	G	H	I	J	K	L	M	N	O	P	Q	R	S	T	U	V	W	X
1 Pcs	1 Pcs	6 Pcs	6 Pcs	1 Pcs	1 Pcs	1 Pcs	1 Pcs	1 Pcs	2 Pcs	2 Pcs	2 Pcs	1 Pcs	2 Pcs	2 Pcs	6 Pcs	4 Pcs	1 Pcs	1 Pcs	4 Pcs	2 Pcs	4 Pcs	4 Pcs	28 Pcs
																							

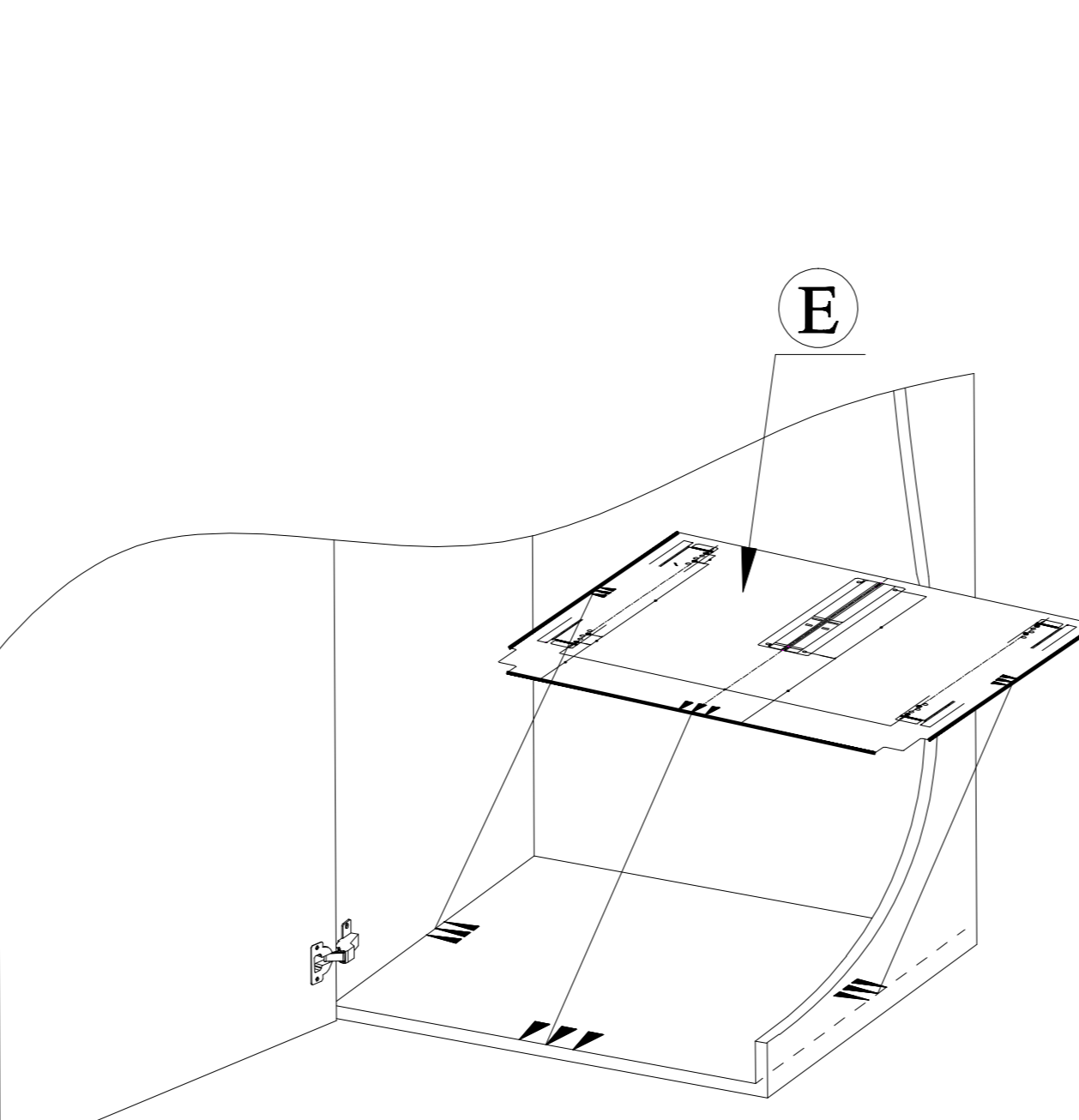
1 		2  		3  		4 		5  		6  	
---	---	---	---	--	---	---	---	---	---	---	---

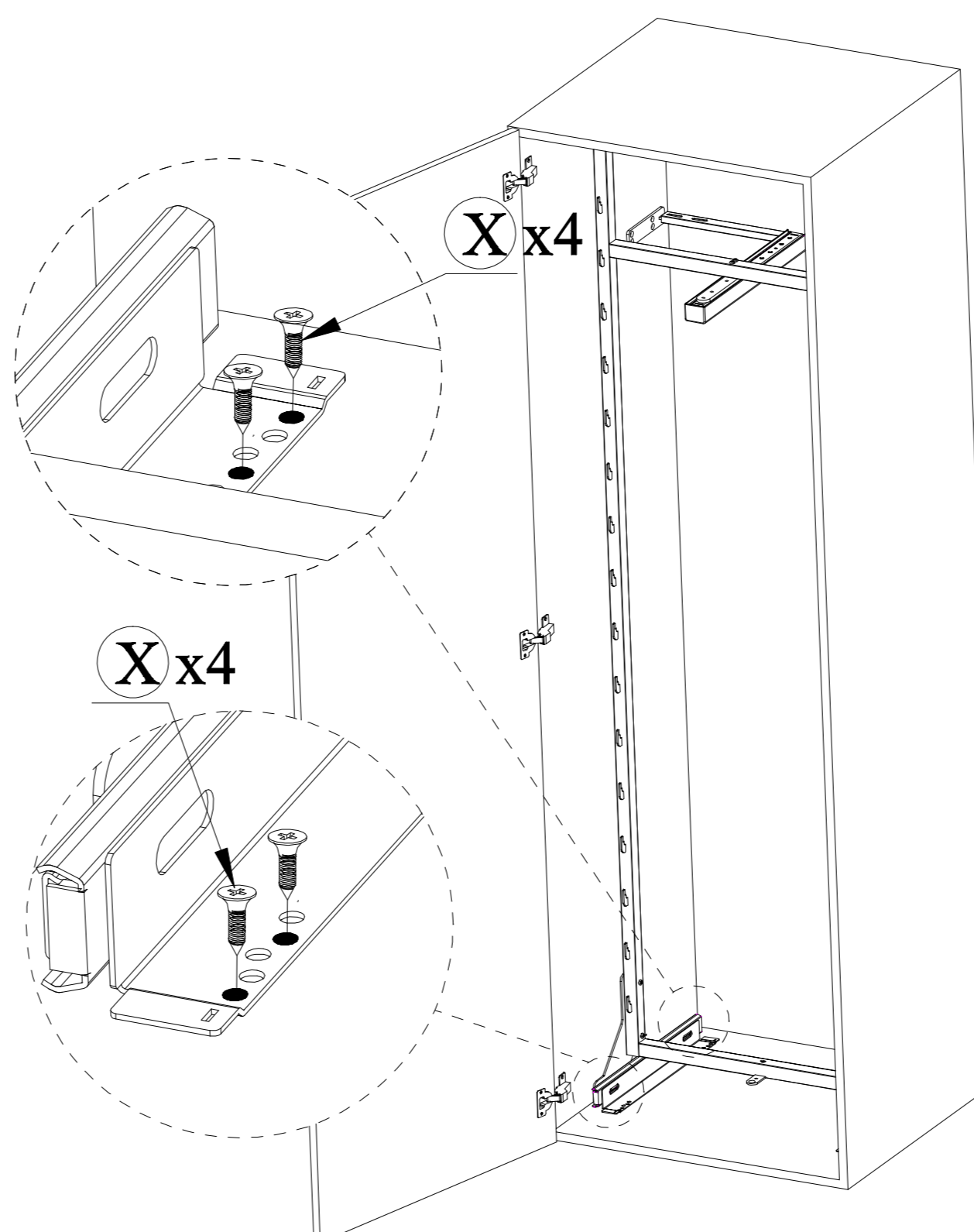
**L**

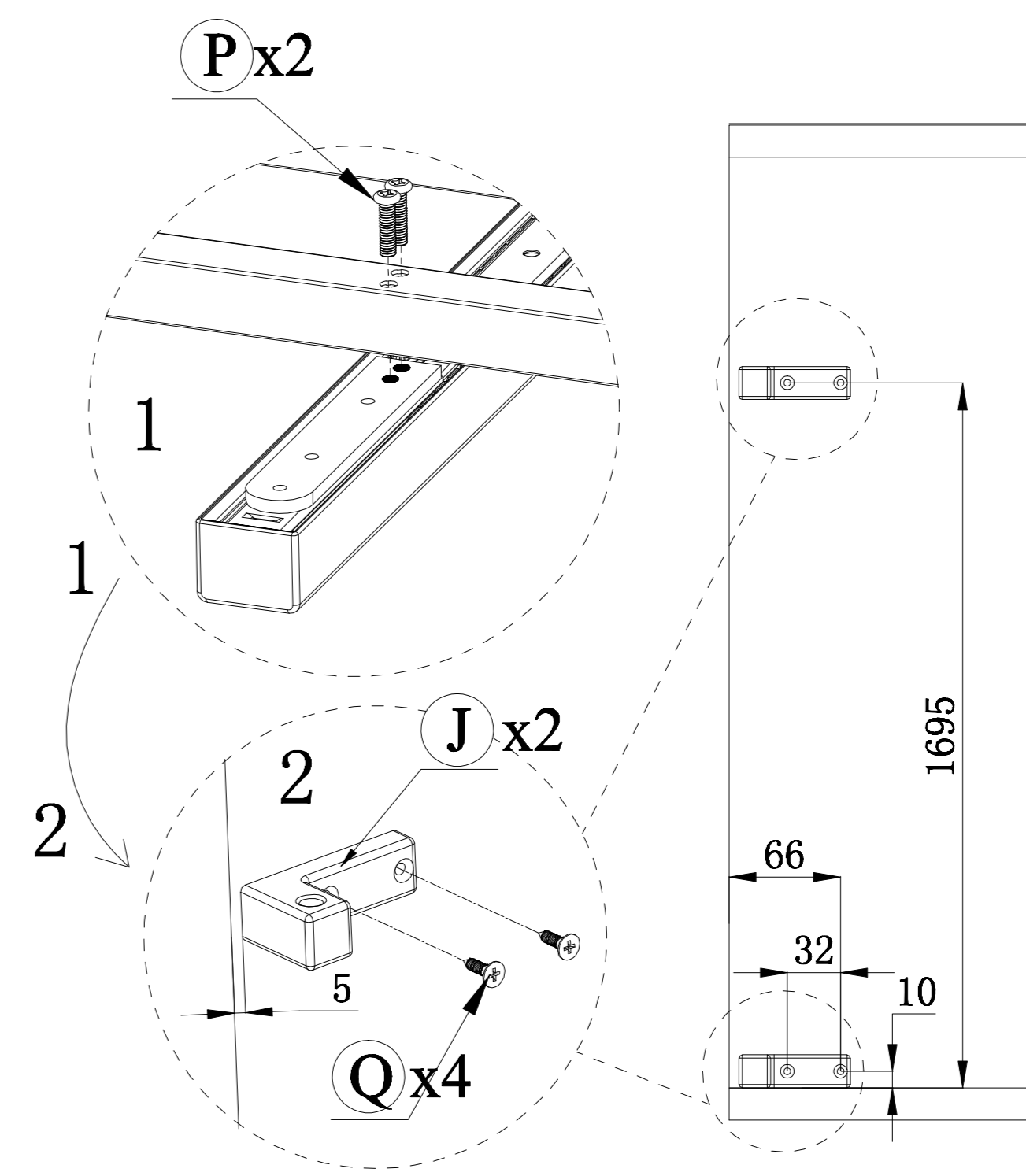


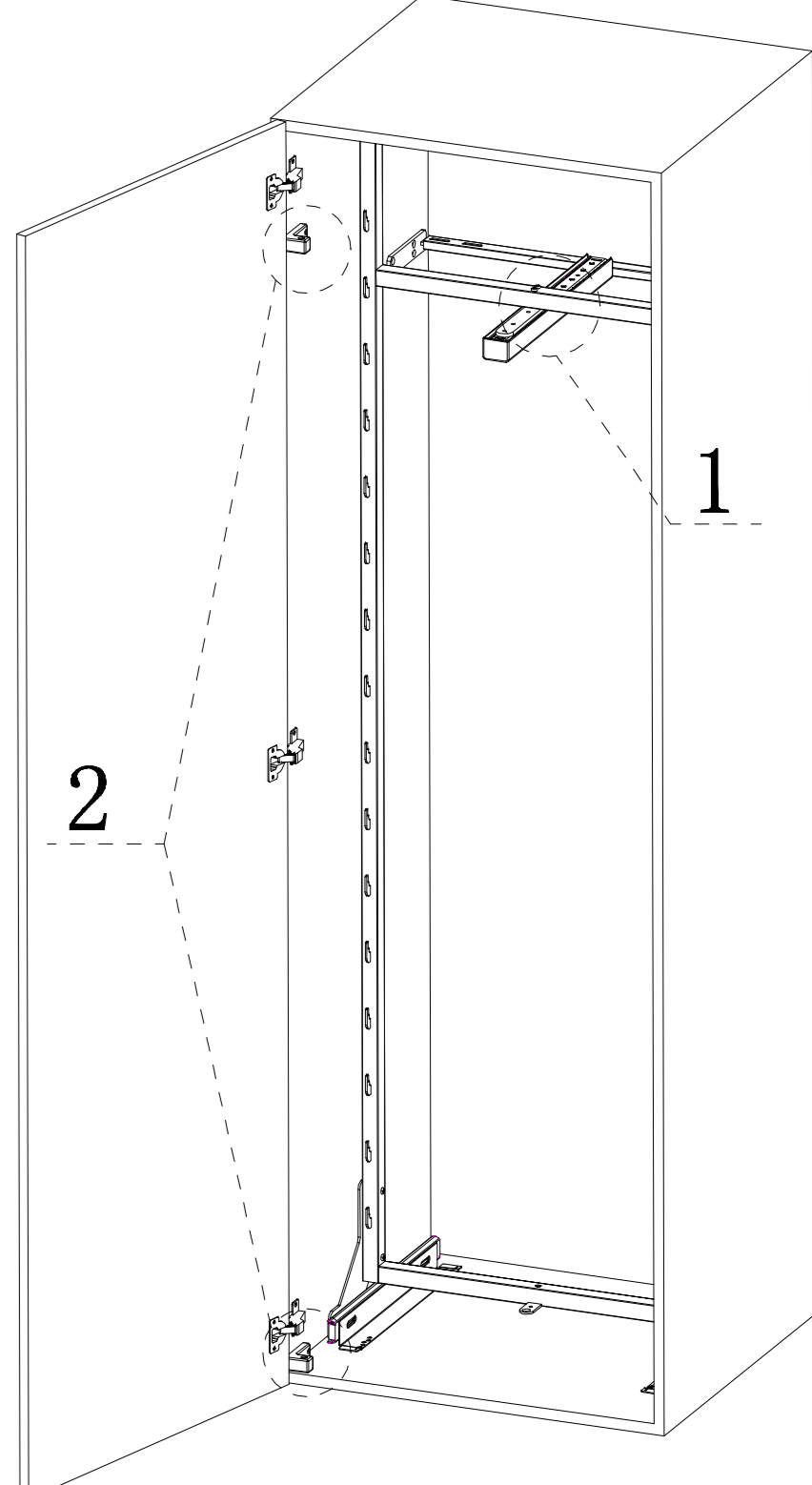






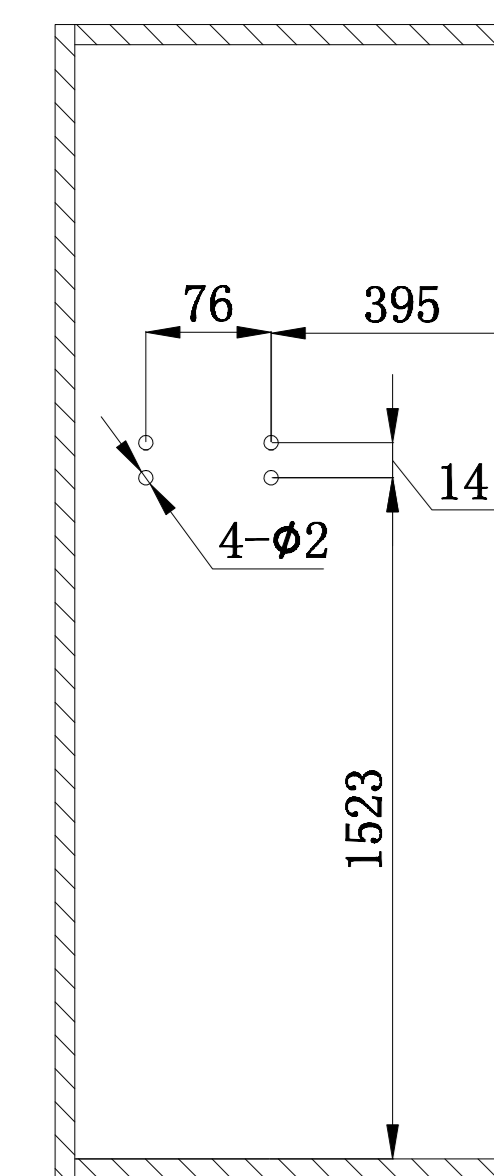


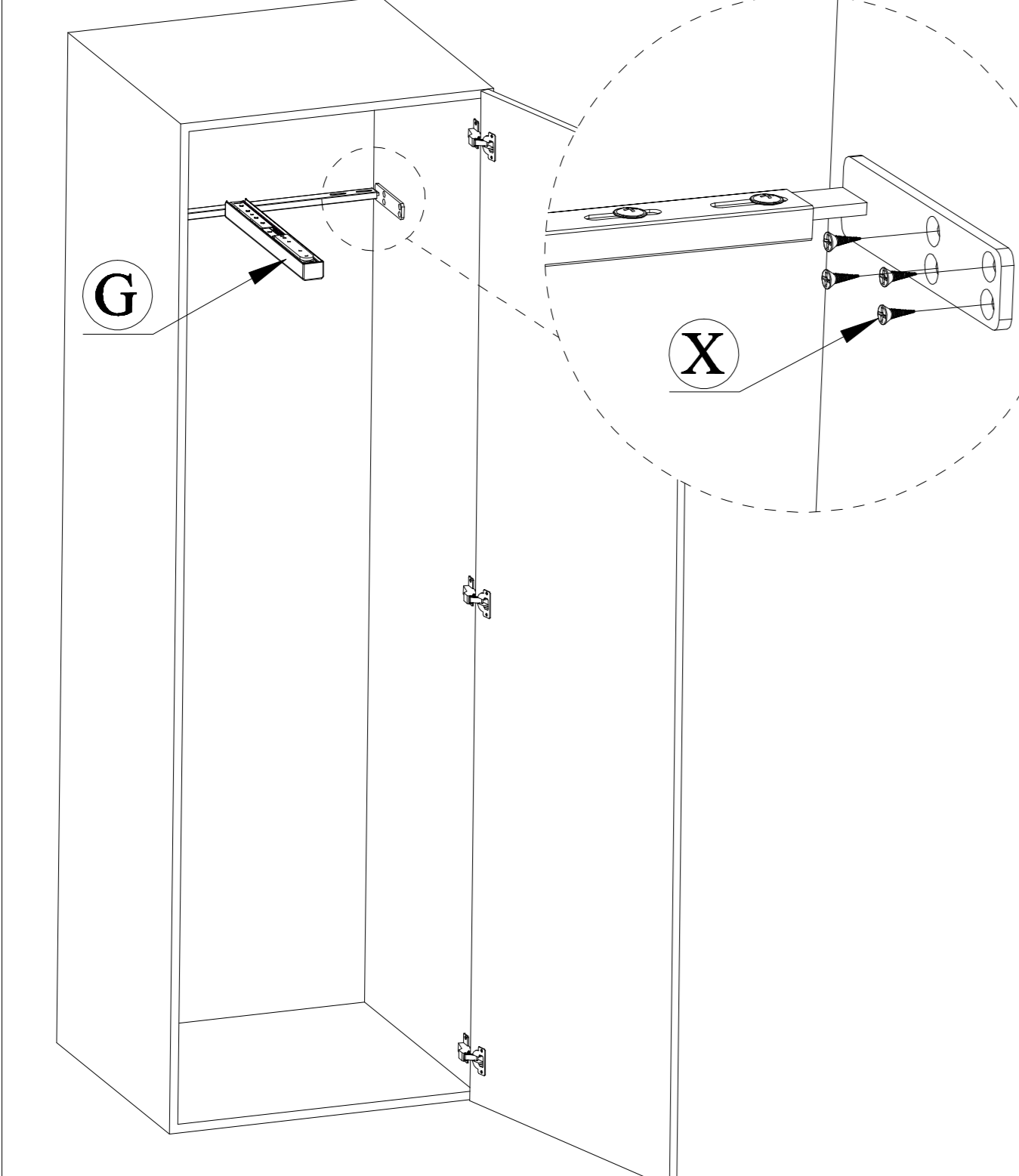


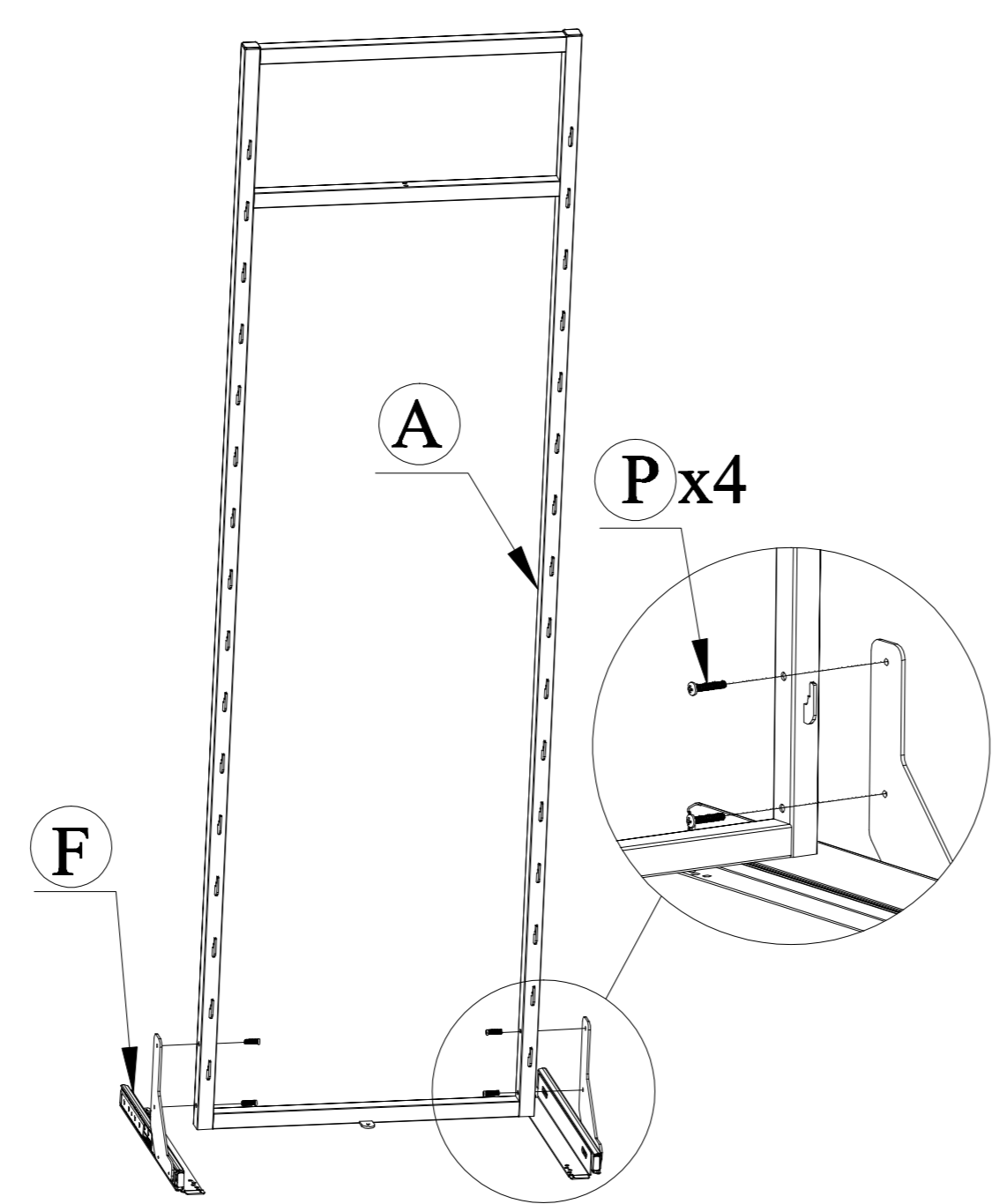


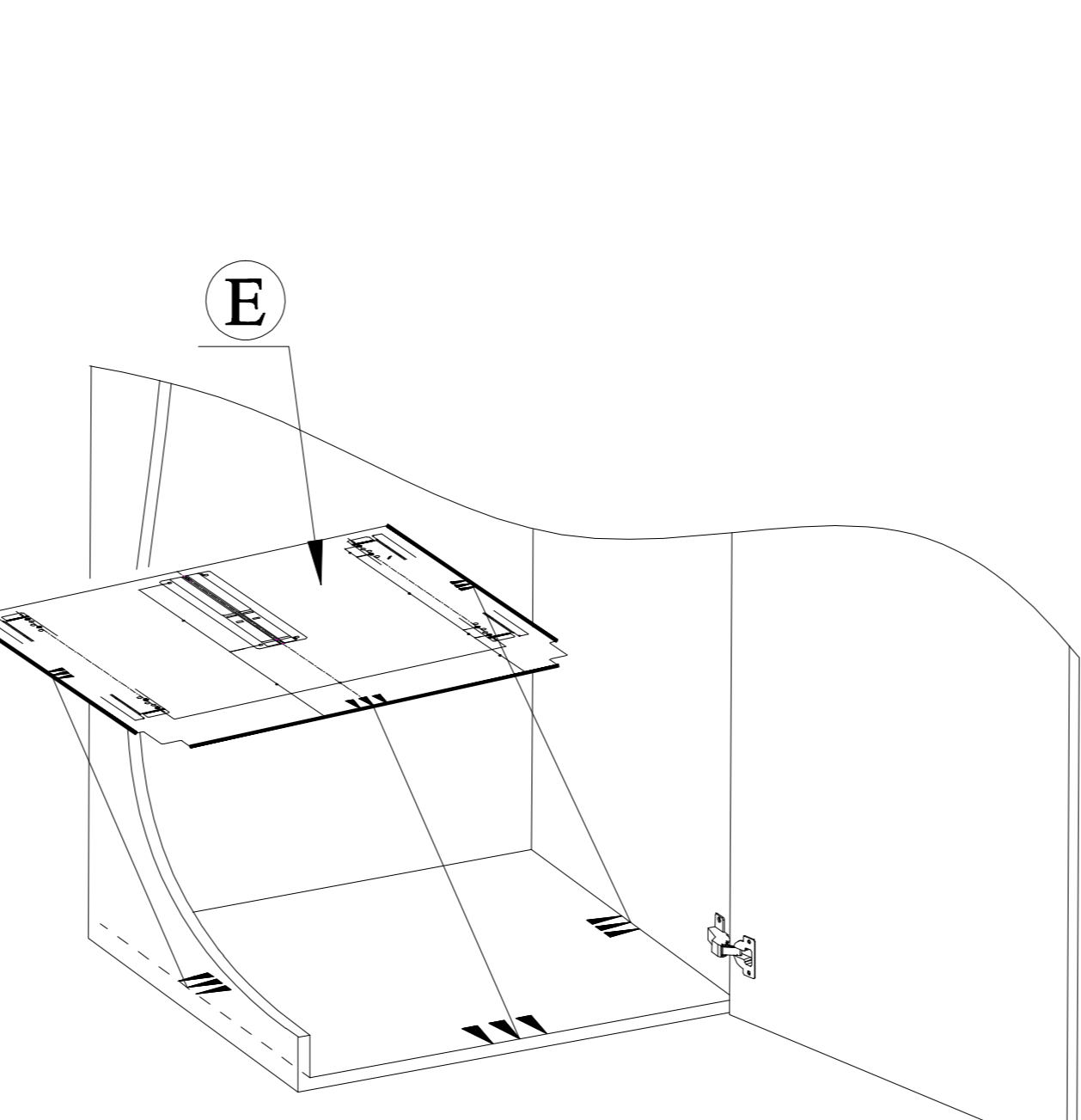
1 		2  		3  		4 		5  		6  	
---	---	---	---	--	---	---	---	---	---	---	---

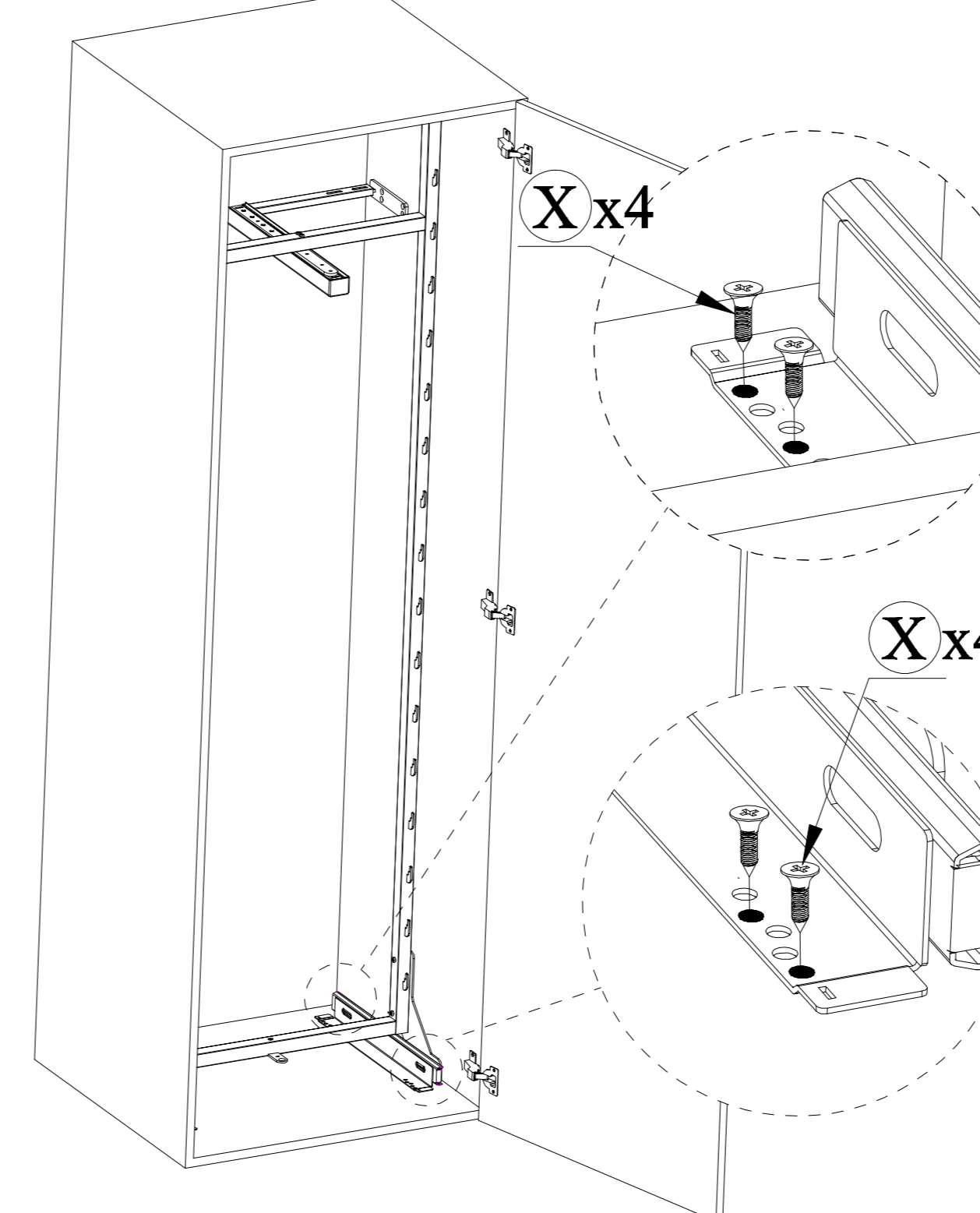
**R**

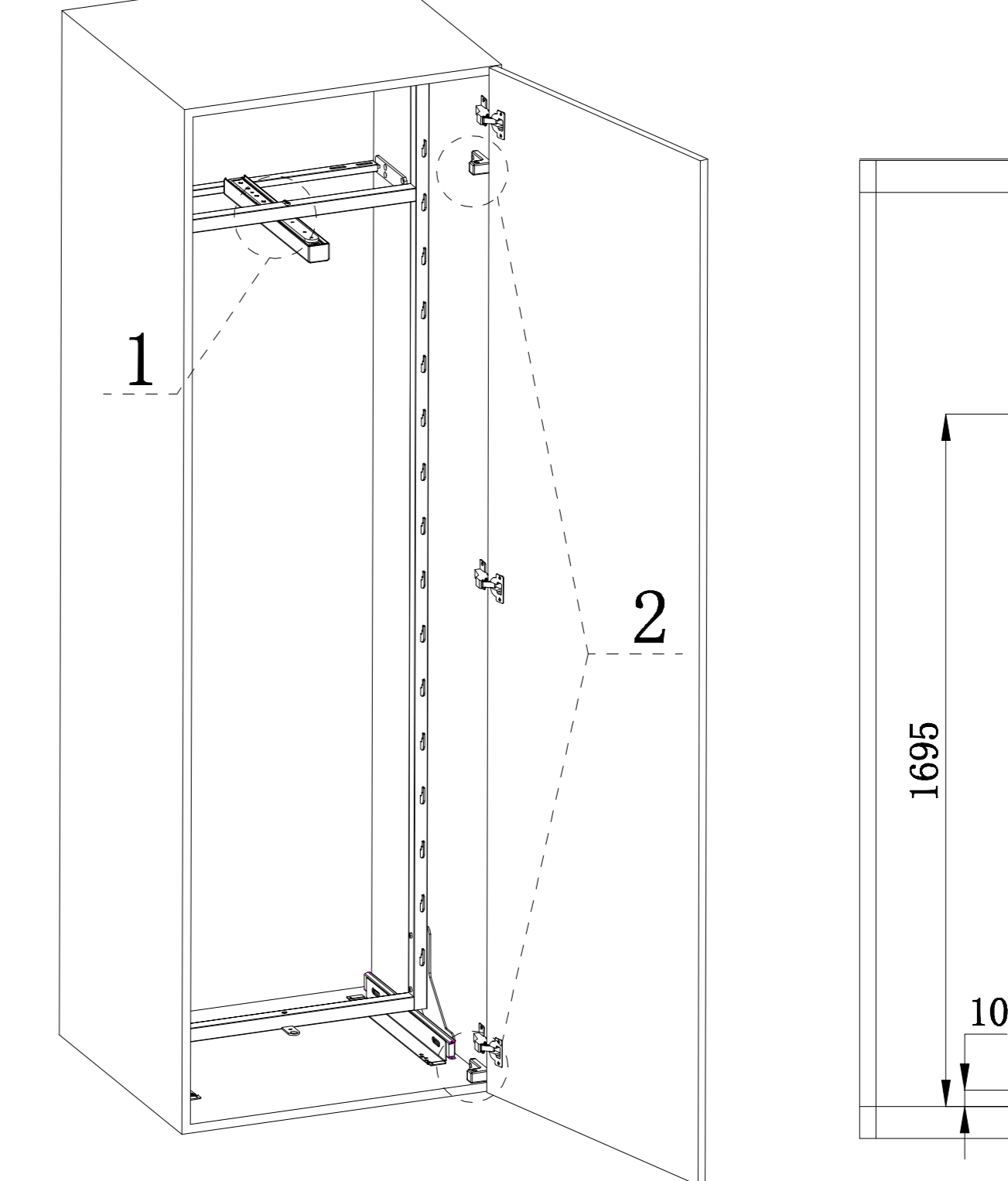


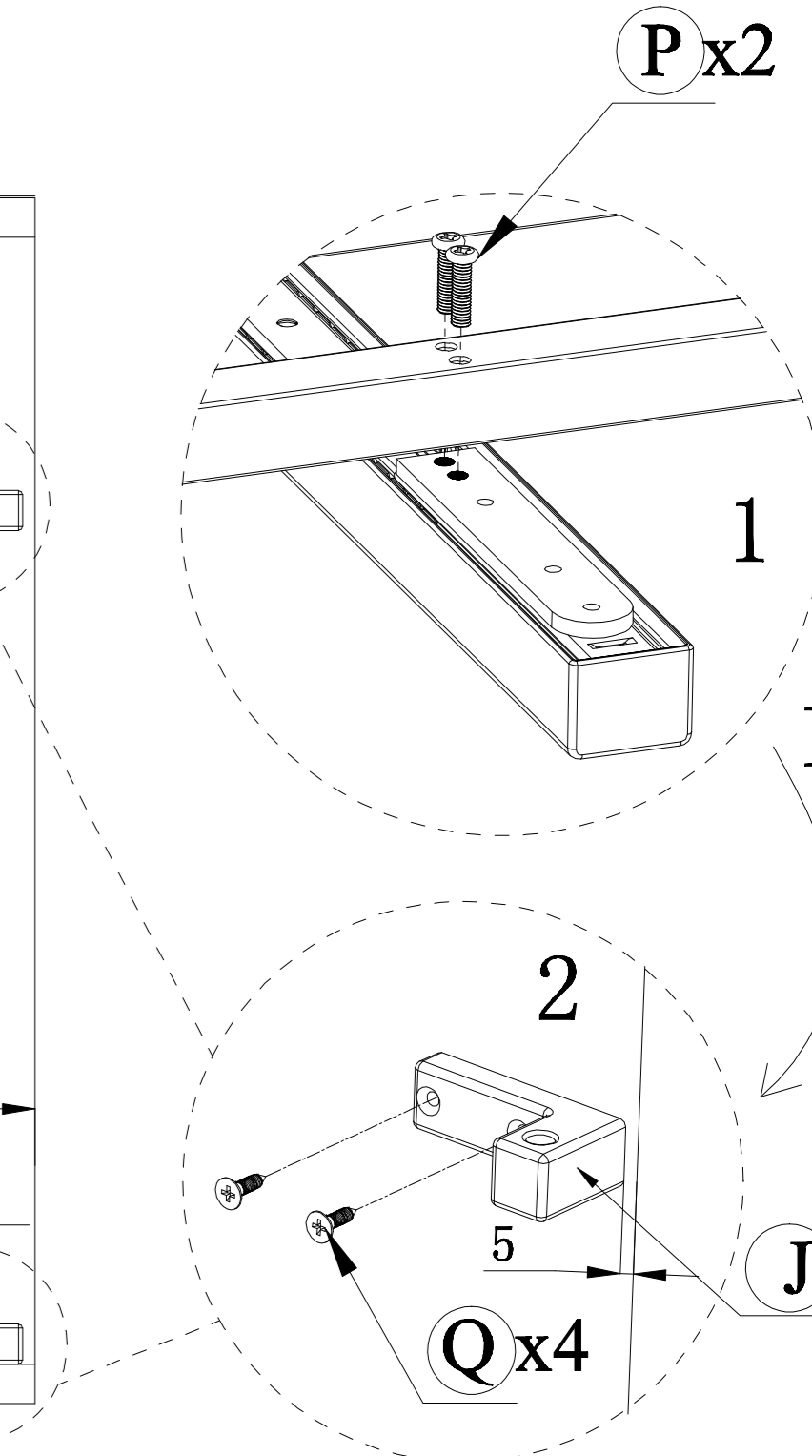


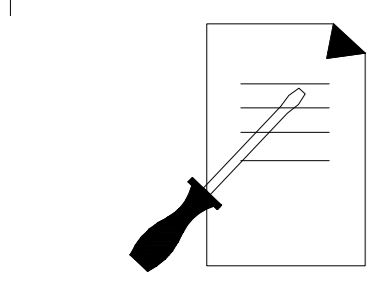












**7**

**L**

1 2 3  
1 → 2 → 3

**8**

B L T x 2 O T x 2 L

**9**

U

**10**

K x 2 X x 8 16 33 1800 55

**7**

**R**

1 2 3  
1 → 2 → 3

**8**

L T x 2 T x 2 L O B

**9**

U

**10**

K x 2 X x 8 16 33 1800 55

**11**

**L**

W x 2 V x 2 M W x 2 V x 2 M

**12**

N x 2

**13**

D x 6 C x 6

**11**

**R**

W x 2 V x 2 M W x 2 V x 2 M

**12**

N x 2

**13**

C x 6 D x 6