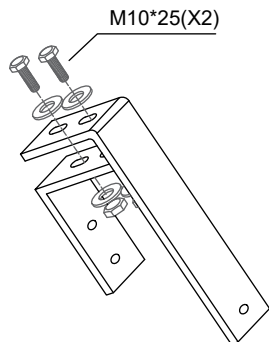
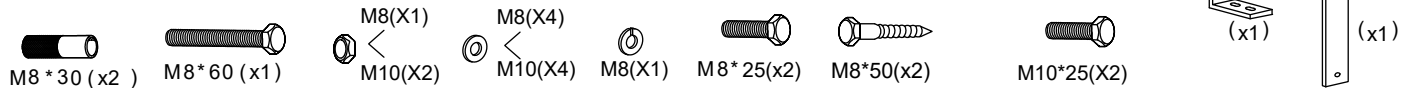
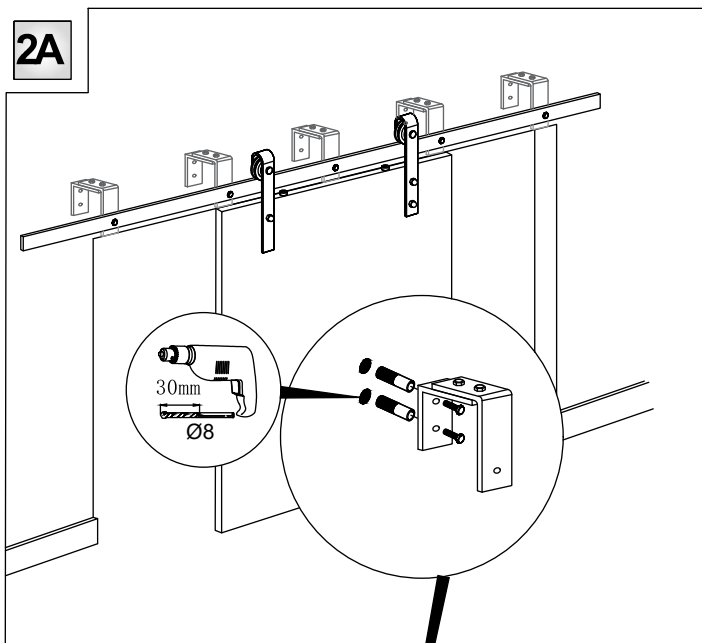


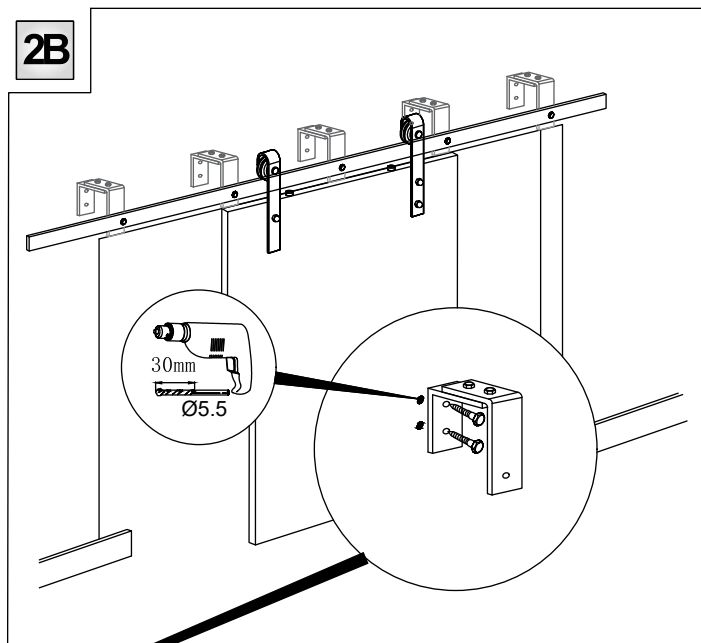
# Installation Manual



2A



2B



3

