

POWER FRAME COVER

**BACH
MANN**

DE Montageanleitung

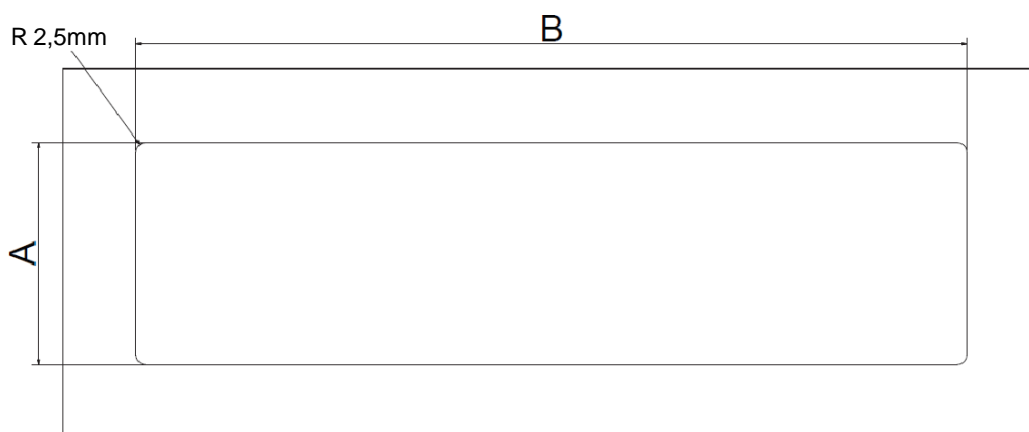
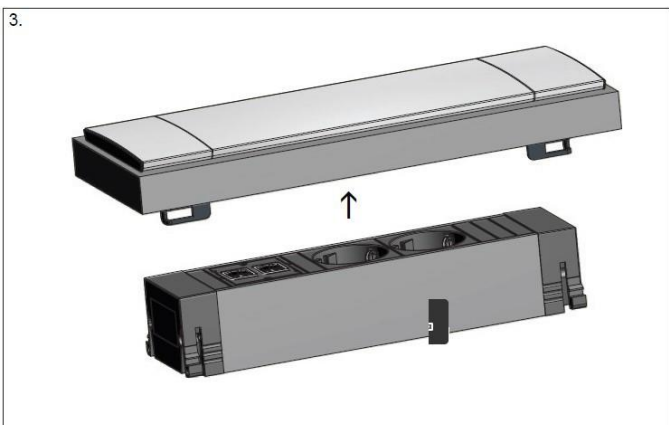
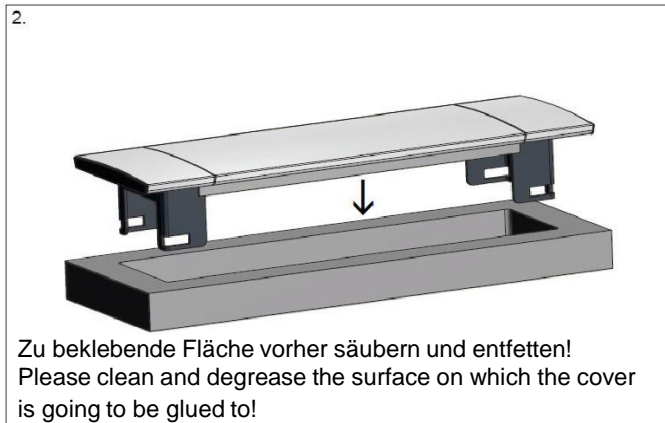
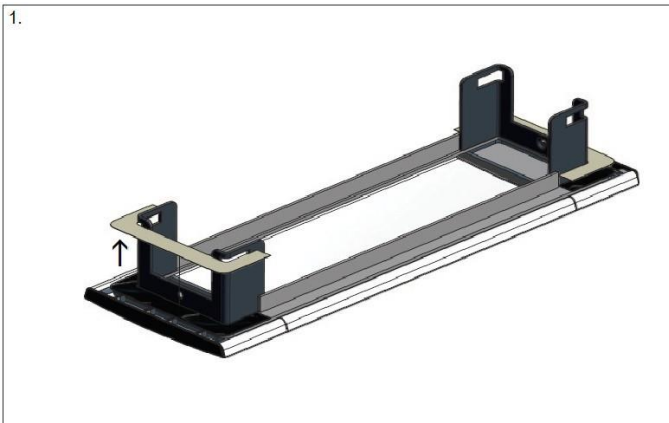
ES Instrucciones de montaje

EN Mounting instructions

RO Instrucțiuni de montare

FR Instructions de montage

IT Istruzioni per l'installazione



Tisch-Ausschnittmaße / Table cut-out dimensions

	A	B
XS	60,00mm	182,50mm
S	60,00mm	225,00mm
M	60,00mm	267,50mm
L	60,00mm	352,00mm

Ab 16mm Tischplattenstärke
From 16mm table thickness